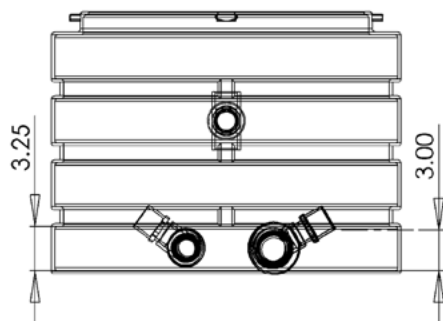
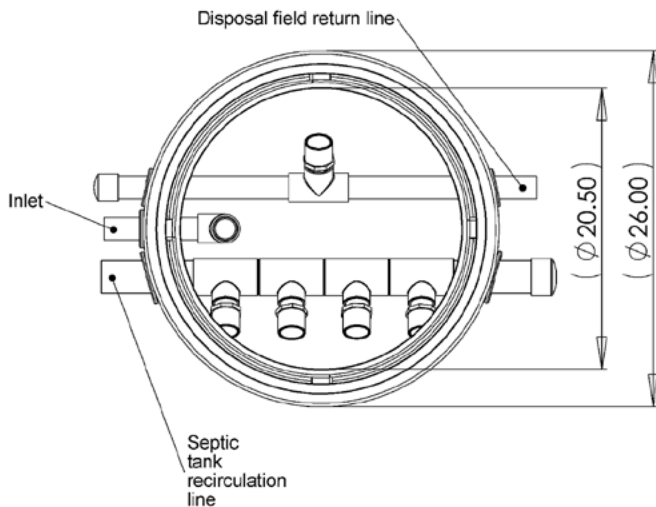
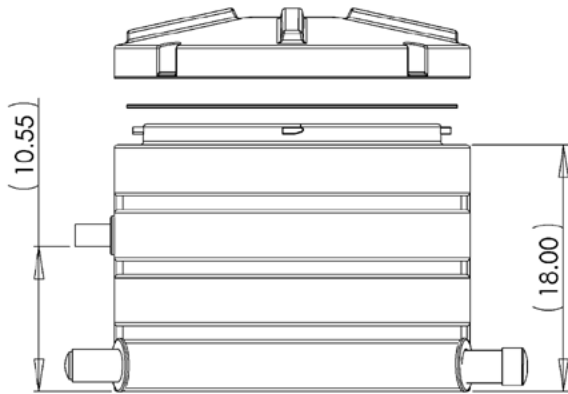
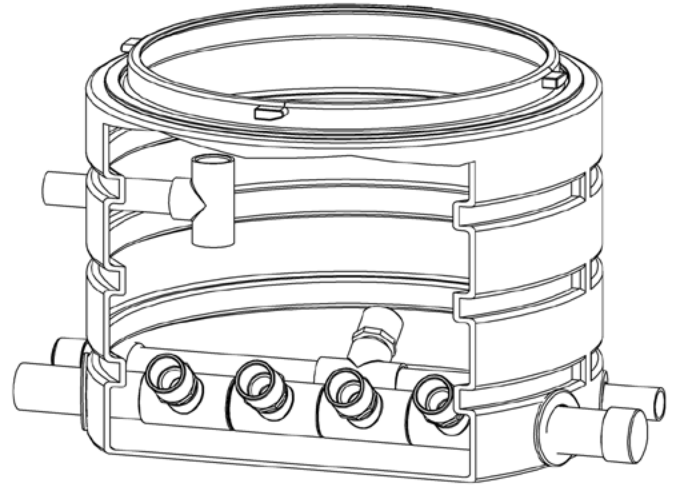


ADVANCED TREATMENT Accessories (Recirculation Devices) ATS-GRD-4/1

Features

- Gravity Recirculation Device provides 80% recirculation
- Pre-plumbed inside a polyethylene basin
- Extra extension risers may be added to bring up to grade
- Easily set by water leveling outlets



Materials

Basin and Lid

- High density non-corrosive polyethylene plastic
- Tested to withstand up to a 2500 lb wheel load
- Neoprene gasket
- Stainless steel tamper resistant hardware
- 26" diameter lid

Effluent Discharge Assembly

- Inlet line: 1.25" Sch 40 PVC Pipe
- 20% Discharge Line: 1.25" Sch 40 PVC Pipe
- 80% Recirculation Line: 2" Sch 40 PVC Pipe
- Rubber Grommets

Warranty for Defects in Material and Workmanship

- Basin and Lid - 2 Years
- Effluent Discharge Assembly - 2 Years

Quanics
Engineering Water Solutions™

P.O. Box 1520, Crestwood, Ky, 40014

Copyright 2006, Quanics Incorporated, All rights reserved
Product(s) covered by one or more U.S. and/or International patents. Other U.S. and International patents may be pending.