

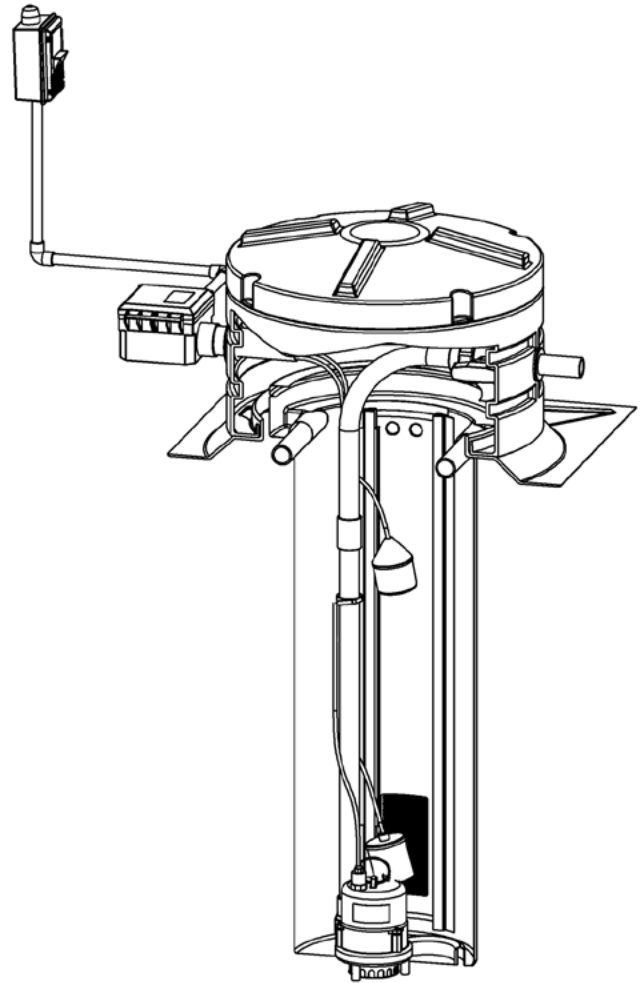
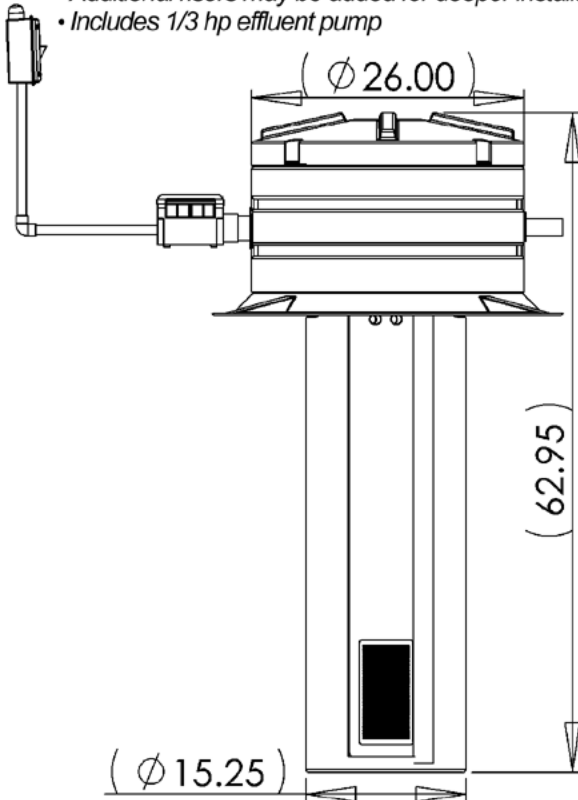


STEP Systems ZEUS STEP Packages

ZS-100

Features

- Designed for most onsite applications where simply lifting effluent up hill is required
- Includes all components for pump installation into either a primary tank or pump tank
- Retrofit tank adapter allows installation into existing concrete tanks
- Additional risers may be added for deeper installations
- Includes 1/3 hp effluent pump

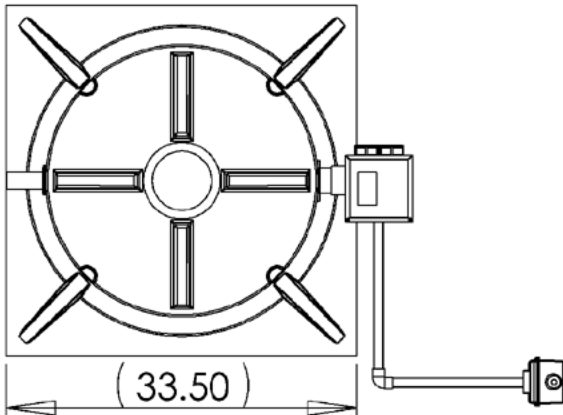


Components

- FPV-H44-4:** 44" Filtered Pump Vault with 2 filter plates
- RB-R-26x2:** 26" x 2" Retrofit Tank Adapter
- RB-R-26x12:** 26" x 12" Riser
- RB-L-26:** 26" Lid
- P-SE-13T:** 1/3 hp Submersible Effluent Pump
- PDS-ED-1.5:** 1.5" Effluent Discharge
- PDS-GT-1.5:** 1.5" Rubber Grommet
- AC-JPB:** Junction Plug Box
- AC-A-O:** Indoor/Outdoor High Water Alarm

Warranty for Defects in Material and Workmanship

- Pump - 3 Years
- Alarms/Controls - 3 Years
- Risers and Lids - 2 Years
- Filtered Vault - 10 Years
- All other components - 2 Years



P.O. Box 1520, Crestwood, Ky, 40014

Copyright 2006, Quanics Incorporated, All rights reserved
Product(s) covered by one or more U.S. and/or international patents. Other U.S. and international patents may be pending.