

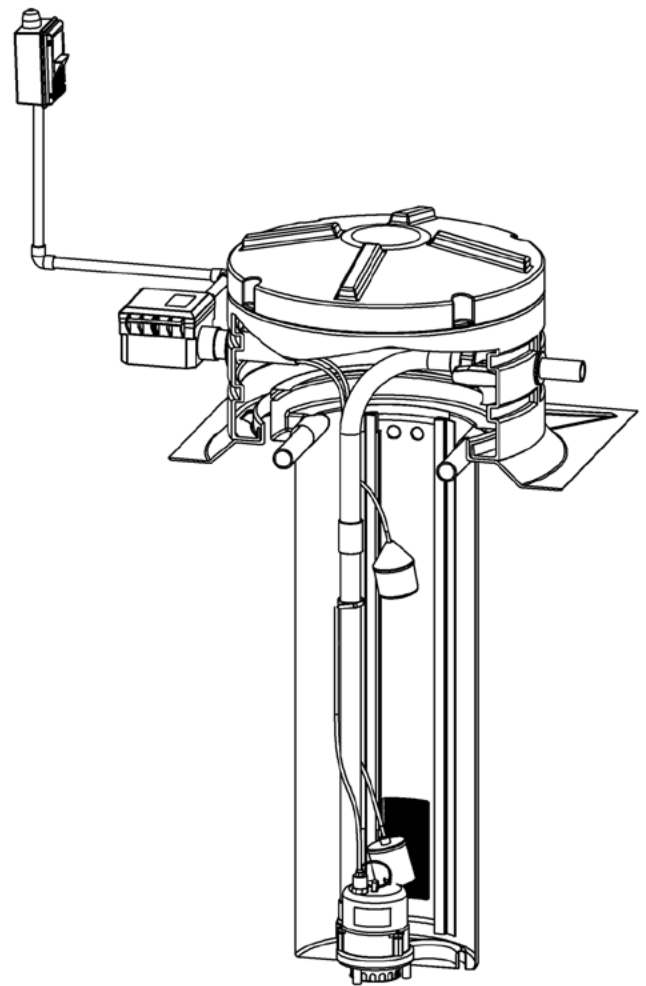
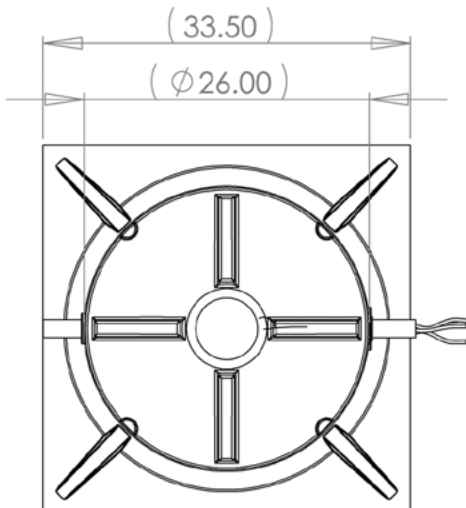
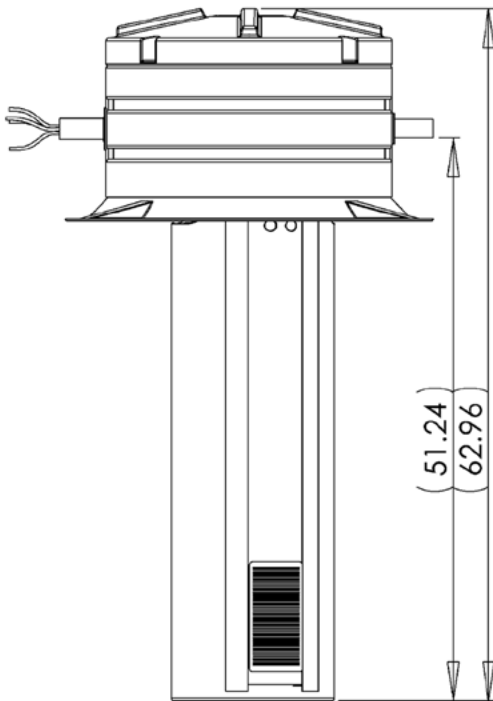


STEP Systems ZEUS STEP Packages

ZS-110

Features

- Designed for most onsite applications where simply lifting effluent up hill is required
- Includes all components for pump installation into either a primary tank or pump tank
- Retrofit tank adapter allows installation into existing concrete tanks
- Additional risers may be added for deeper installations
- Includes 1/2 hp effluent pump



Components

FPV-H44-4: 44" Filtered Pump Vault with 2 filter plates

RB-R-26x2: 26" x 2" Retrofit Tank Adapter

RB-R-26x12: 26" x 12" Riser

RB-L-26: 26" Lid

P-SE-12T: 1/2 hp Submersible Effluent Pump

PDS-ED-2.0: 2.0" Effluent Discharge

PDS-GT-2.0: 2.0" Rubber Grommet

AC-JPB: Junction Plug Box

AC-A-O: Indoor/Outdoor High Water Alarm

Warranty for Defects in Material and Workmanship

- Pump - 3 Years
- Alarms/Controls - 3 Years
- Risers and Lids - 2 Years
- Filtered Vault - 10 Years
- All other components - 2 Years

Quanics
Engineering Water Solutions™

P.O. Box 1520, Crestwood, Ky, 40014

Copyright 2006, Quanics Incorporated, All rights reserved
Product(s) covered by one or more U.S. and/or International patents. Other U.S. and International patents may be pending.

1-877-QUANICS (782-6427)

www.quanics.net