

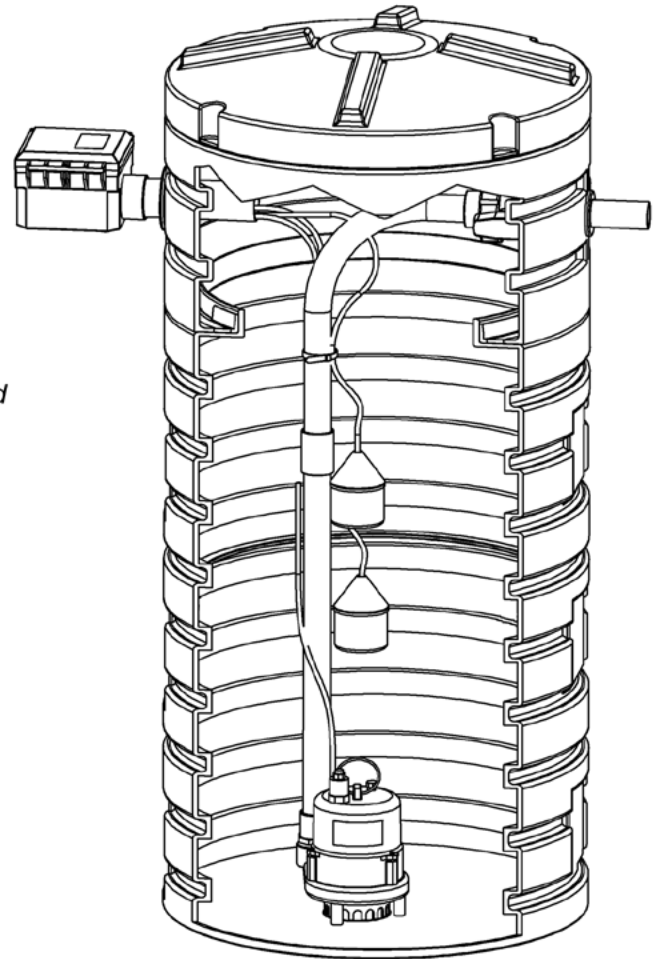
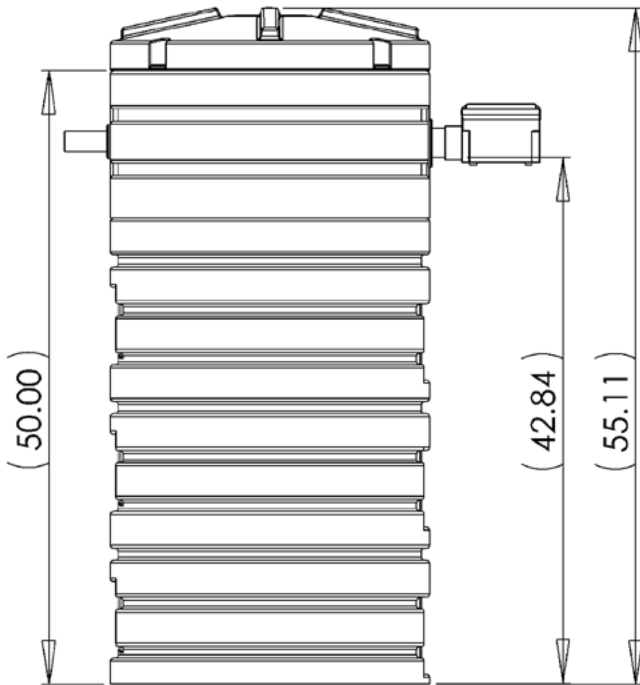


STEP Systems ZEUS STEP Packages

ZS-300

Features

- Ideal for repairs and sites with limited space
- Small lift station may be used to provide small doses to a disposal field
- Includes all components required to install a pump outside a tank
- Additional risers may be added for deeper installations
- Includes 1/3 hp effluent pump

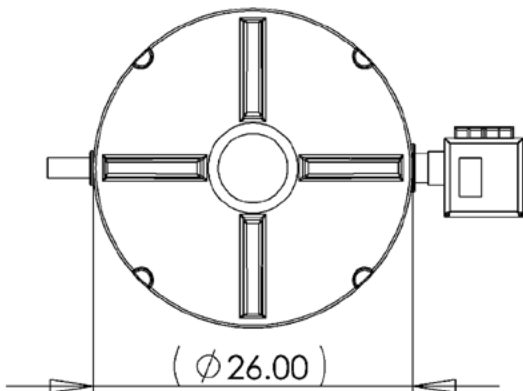


Components

- RB-B-26x38:** 26" x 38" Basin
- RB-R-26x12:** 26" x 12" Riser
- RB-L-26:** 26" Lid
- P-SE-13T:** 1/3 hp Submersible Effluent Pump
- PDS-ED-1.50:** 1.50" Effluent Discharge
- PDS-GT-1.50:** 1.50" Rubber Grommet
- PDS-GT-4.0:** 4" Rubber Grommet
- AC-JPB:** Junction Plug Box
- AC-A-O:** Indoor/Outdoor High Water Alarm

Warranty for Defects in Material and Workmanship

- Pump - 3 Years
- Alarms/Controls - 3 Years
- Risers and Lids - 2 Years
- All other components - 2 Years



Quanics
Engineering Water Solutions™

P.O. Box 1520, Crestwood, Ky, 40014

Copyright 2006, Quanics Incorporated, All rights reserved
Product(s) covered by one or more U.S. and/or International patents. Other U.S. and International patents may be pending.

1-877-QUANICS (782-6427)

www.quanics.net