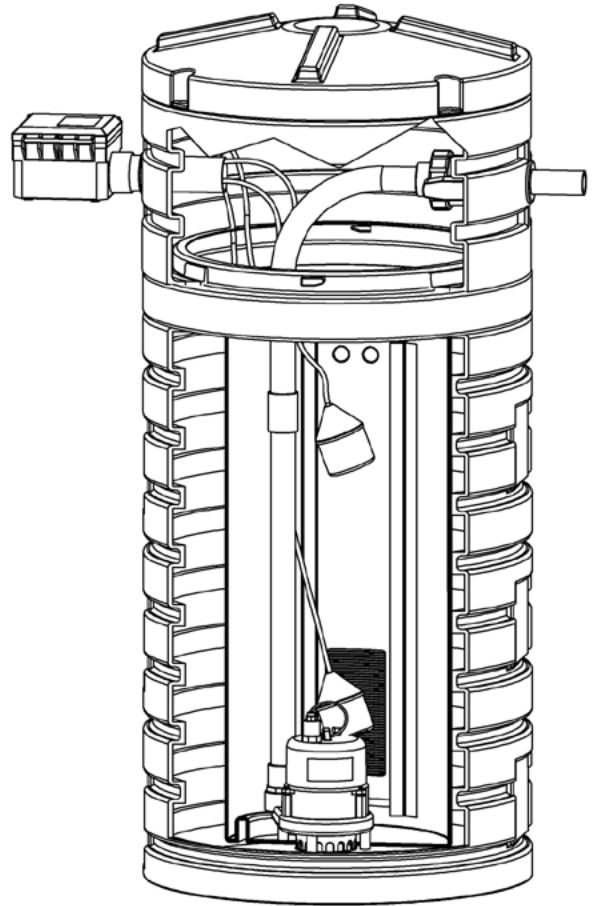
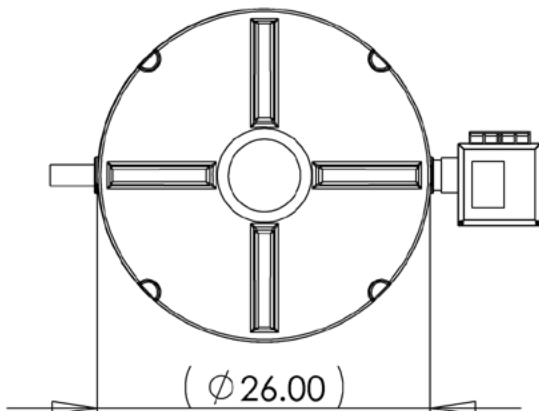
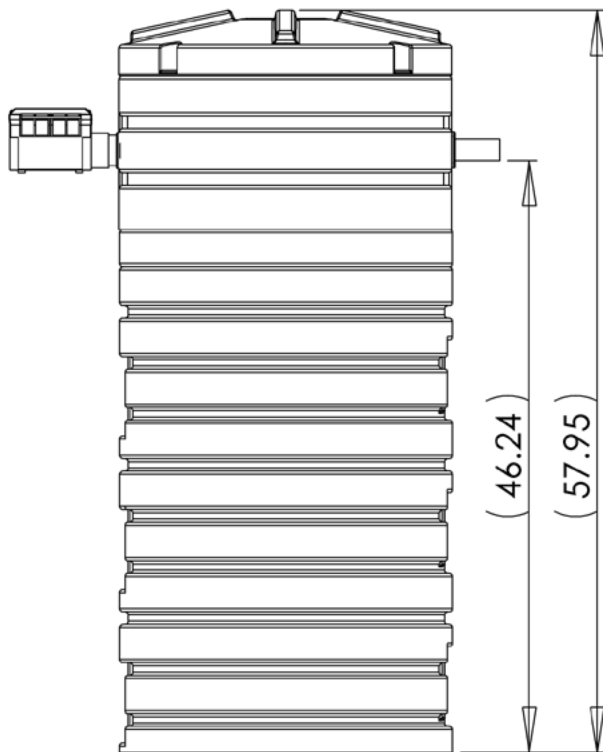


STEP Systems ZEUS STEP Packages

ZS-310

Features

- Ideal for repairs and sites with limited space
- Small lift station may be used to provide small doses to a disposal field
- Includes all components required to install a pump outside a tank
- Includes an interlocking filtered vault to protect pump and field from solids
- Includes a 1/3 hp effluent pump



Components

- RB-B-26x38:** 26" x 38" Basin
- RB-R-26x12:** 26" x 12" Riser
- RB-L-26:** 26" Lid
- FPV-I36-4:** 36" Interlocking Filtered Pump Vault with 2 plates
- P-SE-13T:** 1/3 hp Submersible Effluent Pump
- PDS-ED-1.50:** 1.50" Effluent Discharge
- PDS-GT-1.50:** 1.50" Rubber Grommet
- PDS-GT-4.0:** 4" Rubber Grommet
- AC-JPB:** Junction Plug Box
- AC-A-O:** Indoor/Outdoor High Water Alarm

Warranty for Defects in Material and Workmanship

- Pump - 3 Years
- Alarms/Controls - 3 Years
- Risers and Lids - 2 Years
- Filtered Vault - 10 Years
- All other components - 2 Years

Quanics
Engineering Water Solutions™

P.O. Box 1520, Crestwood, Ky, 40014

Copyright 2006, Quanics Incorporated, All rights reserved
Product(s) covered by one or more U.S. and/or International patents. Other U.S. and International patents may be pending.