



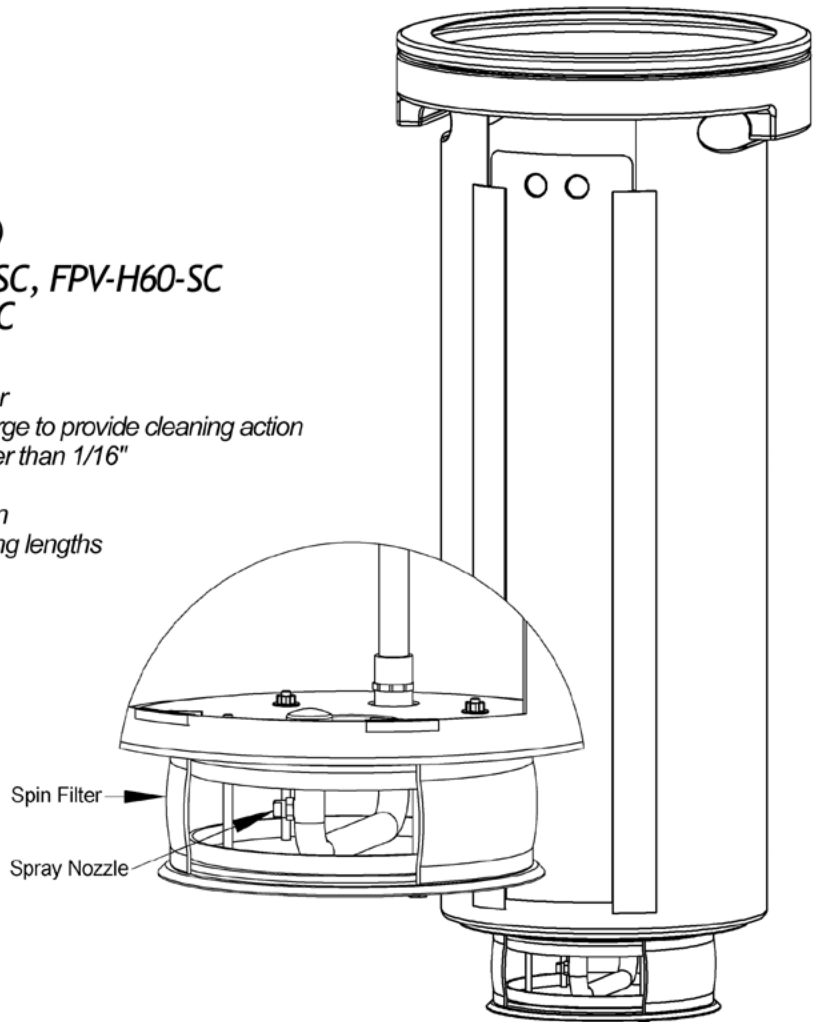
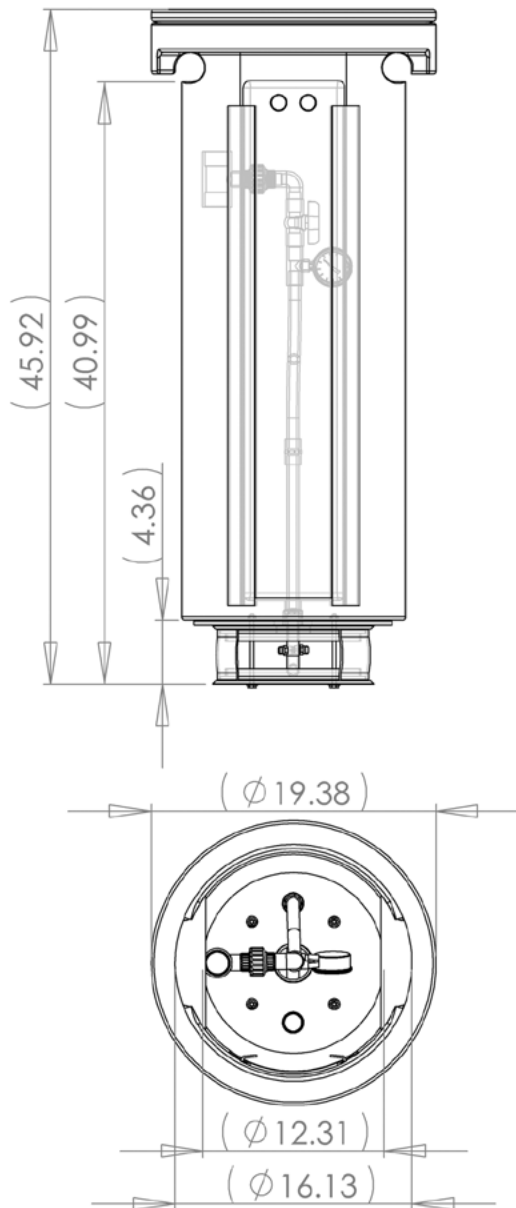
## STEP Systems

### Filtered Pump Vaults (Self-Cleaning)

FPV-H40-SC, FPV-H48-SC, FPV-H54-SC, FPV-H60-SC  
 FPV-H66-SC, FPV-H72-SC, FPV-I40-SC

#### Features

- Hanging filtered pump vault with self-cleaning filter
- Patented self-cleaner diverts effluent from discharge to provide cleaning action
- Protects pump and disposal field from solids larger than 1/16"
- Virtually maintenance free
- Requires 8 psi head pressure for proper operation
- Available in 40", 48", 54", 60", 66", and 72" hanging lengths



#### Materials

##### Vault

- High density non-corrosive polyethylene plastic
- Stainless steel screws

##### Effluent Discharge Assembly

- 1/2" PVC return line
- 0-30 psi pressure gauge
- 1/2" ball valve

##### Self-Cleaning Filter

- High density polyethylene

#### Warranty for Defects in Material and Workmanship

- Hanging Self-Cleaning Filtered Vault - 2 Years
- Hanging Self-Cleaning Filtered Vault when used with a Zabel® Pump - 10 Years



P.O. Box 1520, Crestwood, Ky, 40014

Copyright 2006, Quanics Incorporated, All rights reserved

Product(s) covered by one or more U.S. and/or International patents. Other U.S. and International patents may be pending.