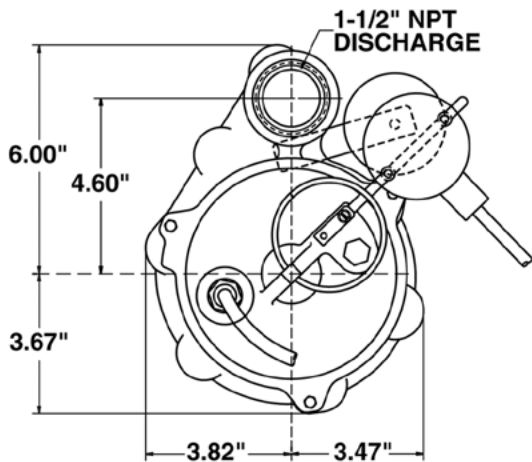


# STEP Systems Pumps (Sump)

## P-SU-13T

### Features

- Rugged cast iron pump body and motor cover, exterior hardware stainless steel construction
- Carbon/Ceramic mechanical seal
- Piggy-back style float for automatic or manual operation
- Oil-filled motor with automatic reset overload provides safe operation
- Ball bearing construction for long life



### Specifications

**Capacities:** To 62 GPM

**Heads:** To 32 FT

**Motor:** 1/3 HP = 9.8FLA shaded pole with thermal overload protection

**Electrical:** 115V, 1Ph, 60Hz

**Operation:** Tethered float, on/off

**Impeller:** Thermoplastic, vortex type

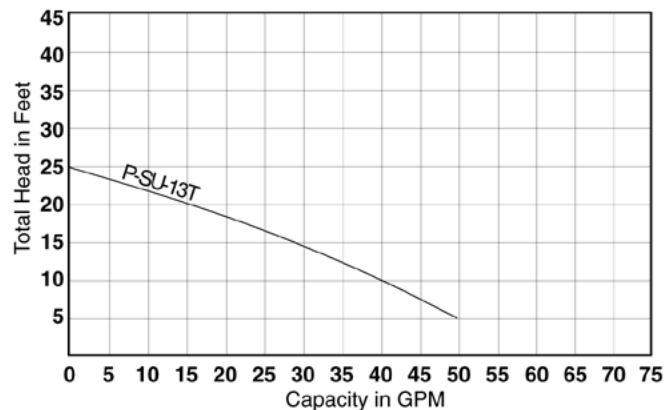
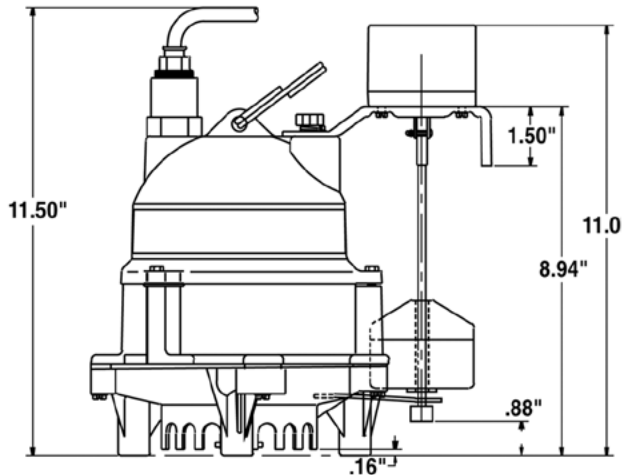
**Solids Handling:** 1/2" (12.7mm)

**Power Cord:** 10' (3M) or 20' (6M) 16-3, SJTW-A/SJTW

**Discharge:** 1-1/2"

### Warranty for Defects in Material and Workmanship

- All components - 3 Years



P.O. Box 1520, Crestwood, Ky, 40014

Copyright 2006, Quanics Incorporated, All rights reserved

Product(s) covered by one or more U.S. and/or international patents. Other U.S. and international patents may be pending.