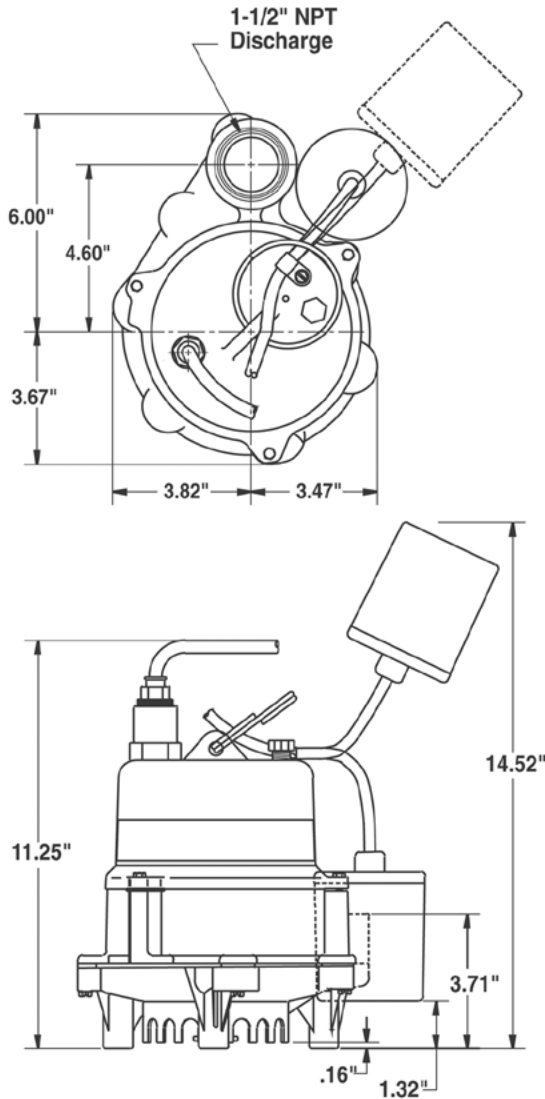


STEP Systems Pumps (Effluent)

P-SE-13T

Features

- Carbon/Ceramic mechanical seal
- Piggy-back style float for automatic or manual operation
- Oil-filled motor with automatic reset overload provides safe operation
- Ball bearing construction for long life



Specifications

Capacities: to 55 GPM

Heads: To 21 FT

Motor: 1/3 HP (1550 RPM)

Electrical: 115 V, 12.0FLA, 1Ph, 60Hz

Operation: Tethered float

Impeller: Thermoplastic, non-clog, vortex type

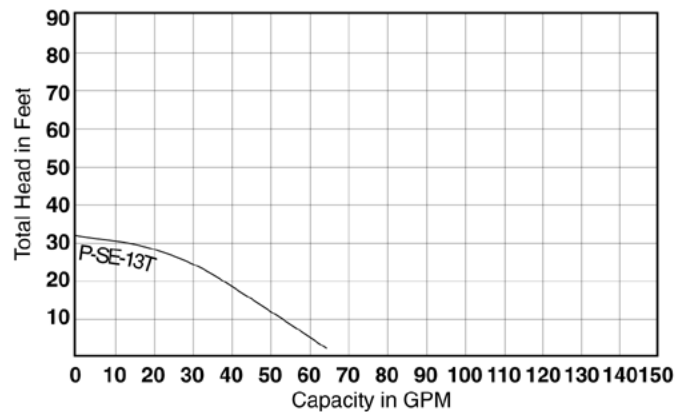
Solids Handling: 3/4" (19mm)

Power Cord: 20' (6M) 16-3, SJTW-A/SJTW

Discharge: 1-1/2"

Warranty for Defects in Material and Workmanship

- All components - 3 Years



Quanics
Engineering Water Solutions™

P.O. Box 1520, Crestwood, Ky, 40014

Copyright 2006, Quanics Incorporated, All rights reserved
Product(s) covered by one or more U.S. and/or International patents. Other U.S. and International patents may be pending.