

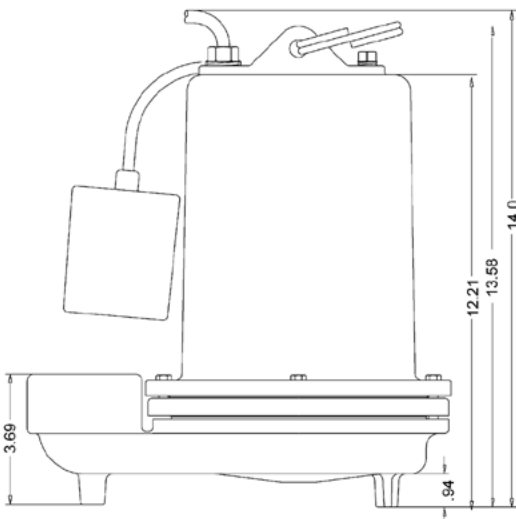
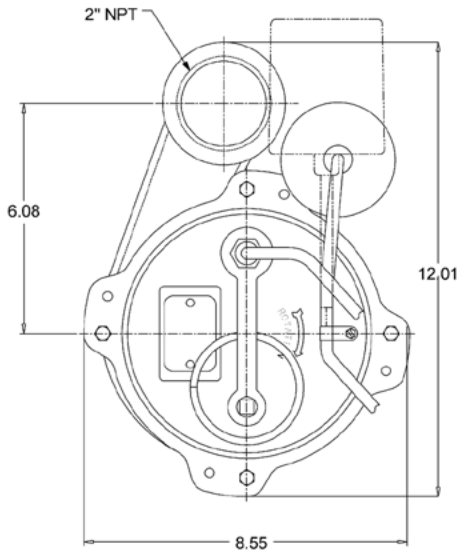


## STEP Systems Pumps (Effluent)

### P-SE-12T

#### Features

- Class 30 cast iron construction
- Carbon/Ceramic mechanical seal
- Piggy-back style float for automatic or manual operation
- Oil-filled motor with automatic reset overload provides safe operation
- Ball bearing construction for long life



#### Specifications

**Capacities:** To 110 GPM

**Motor:** PSC with thermal overload

**Electrical:** 1/2 HP, 12 FLA, 115 V, 1 Ph, 60 hz

**Heads:** To 60 FT

**Operation:** Tethered float

**Impeller:** Cast iron, non-clog, open vane type

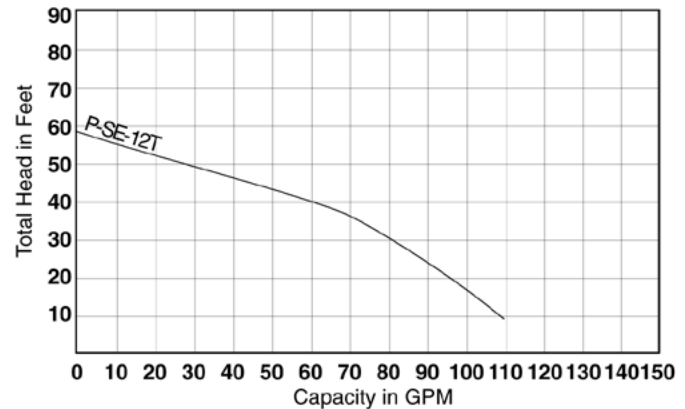
**Solids Handling:** 3/4" (19mm)

**Power Cord:** 10' (3M) or 20" (6M) 16-3, SJTW-A/SJTW

**Discharge:** 2"

#### Warranty for Defects in Material and Workmanship

- All components - 3 Years



**Quanics**  
Engineering Water Solutions™

P.O. Box 1520, Crestwood, Ky, 40014

Copyright 2006, Quanics Incorporated, All rights reserved  
Product(s) covered by one or more U.S. and/or International patents. Other U.S. and International patents may be pending.