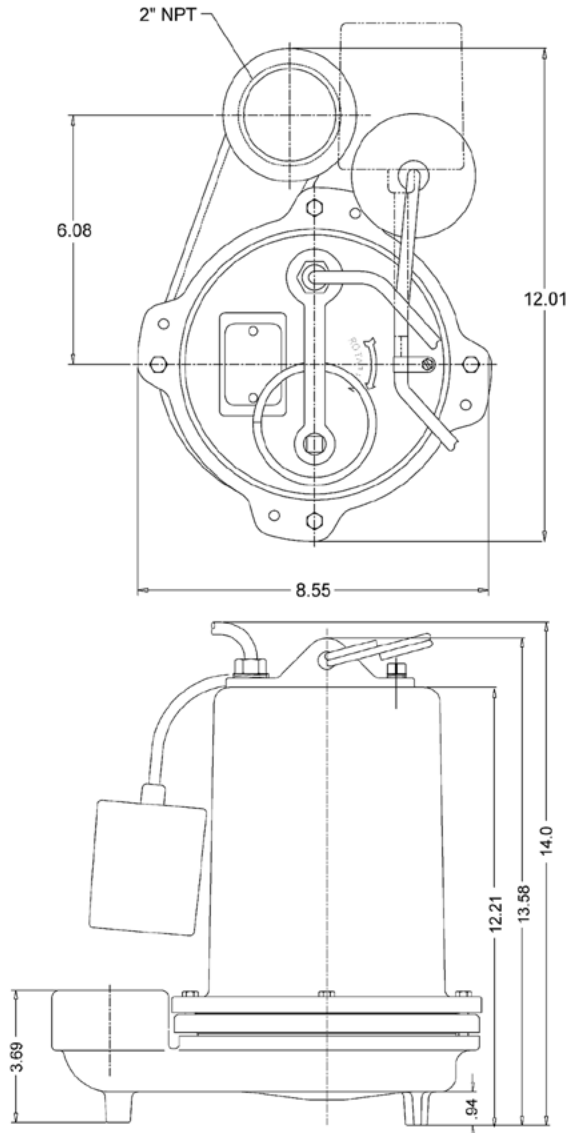


STEP Systems Pumps (Effluent)

P-SE-10T

Features

- Class 30 cast iron construction
- Carbon/Ceramic mechanical seal
- Piggy-back style float for automatic or manual operation
- Oil-filled motor with automatic reset overload provides safe operation
- Ball bearing construction for long life



Specifications

Capacities: To 100 GPM

Heads: To 70 FT

Motor: 1 HP, PSC with thermal overload

Electrical: 230V, 6.6FLA, 1Ph, 60Hz

Operation: Tethered float

Impeller: Cast iron, non-clog, open vane type

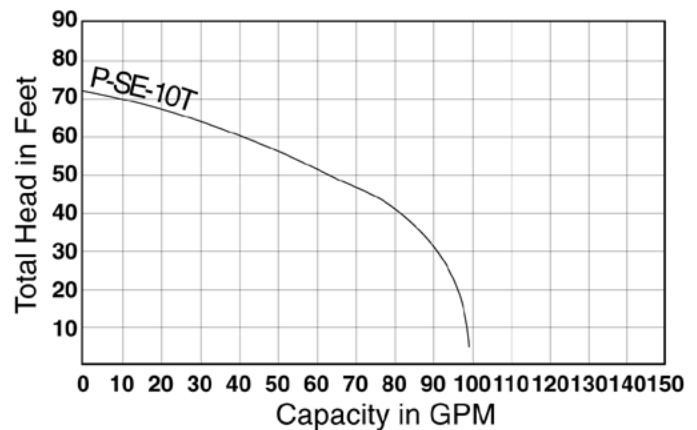
Solids Handling: 3/4" (19mm)

Power Cord: 10' (3M) or 20' (6M) 16-3, SJTW-A/SJTW

Discharge: 2"

Warranty for Defects in Material and Workmanship

- All components - 3 Years



Quanics
Engineering Water Solutions™

P.O. Box 1520, Crestwood, Ky, 40014

Copyright 2006, Quanics Incorporated, All rights reserved
Product(s) covered by one or more U.S. and/or international patents. Other U.S. and international patents may be pending.