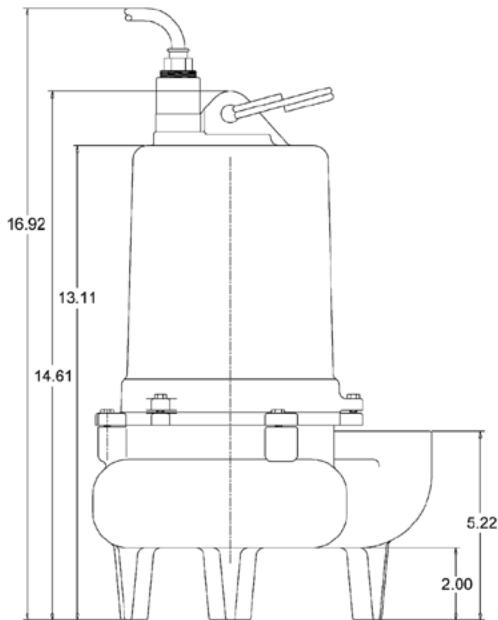
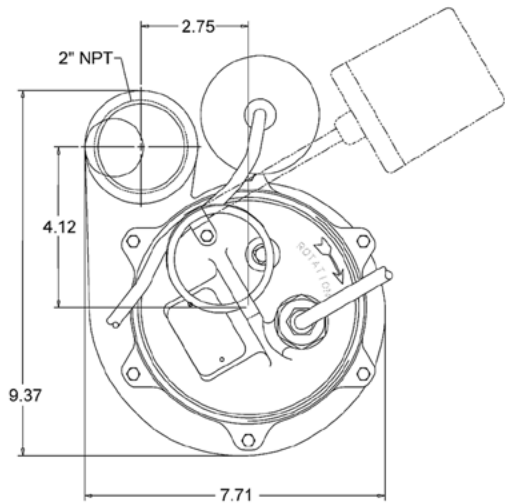


# STEP Systems Pumps (Sewage)

## P-SS-34T

### Features

- Class 30 cast iron construction
- Carbon/Ceramic mechanical seal
- Piggy-back style float for automatic or manual operation
- Oil-filled motor with automatic reset overload provides safe operation
- Ball bearing construction for long life



### Specifications

**Capacities:** To 135 GPM

**Heads:** To 29 FT

**Motor:** 3/4 HP PSC with thermal overload

**Electrical:** 115V, 13.0FLA, 1Ph, 60Hz

**Operation:** Tethered float

**Impeller:** Cast iron, vortex type

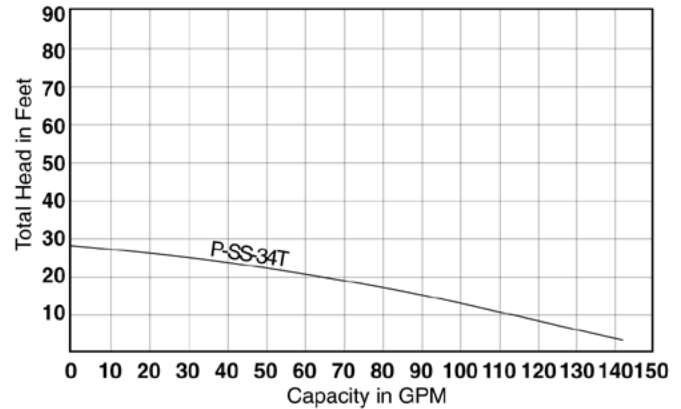
**Solids handling:** 2" (50.8 mm)

**Power Cord:** Single phase; 20' (6M) 16-3, SJTW-A/SJTW

**Discharge:** 2"

### Warranty for Defects in Material and Workmanship

- All components - 3 Years



P.O. Box 1520, Crestwood, Ky, 40014

Copyright 2006, Quanics Incorporated, All rights reserved  
Product(s) covered by one or more U.S. and/or International patents. Other U.S. and International patents may be pending.