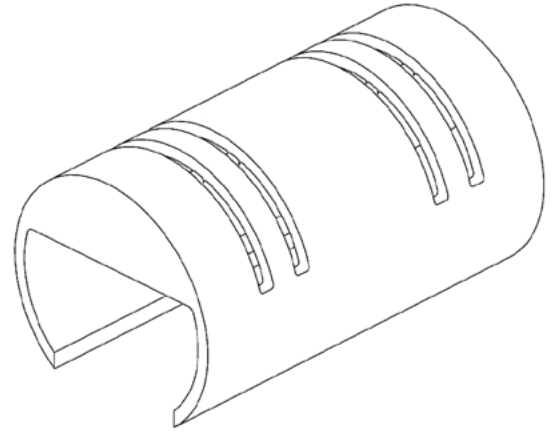


STEP Systems Pressure Distribution (Orifice Shields)

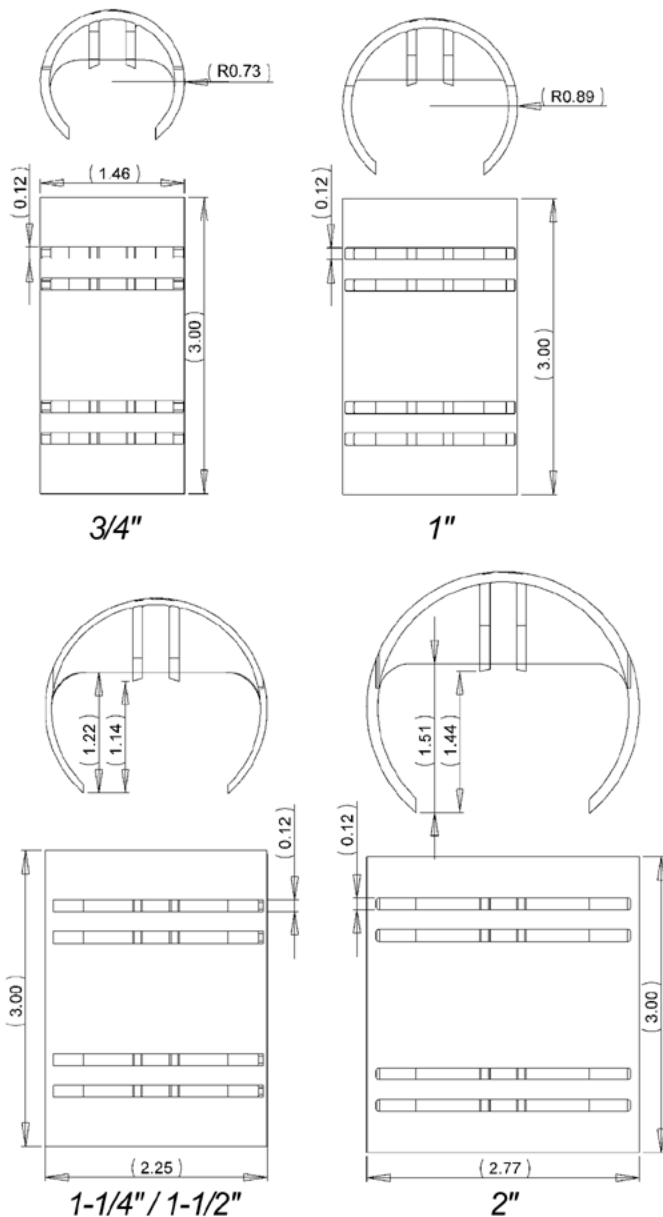
PDS-ZOS-75, PDS-ZOS-100,
PDS-ZOS-125/150, PDS-ZOS-200

Features

- Patent Pending orifice shields snap on to a variety of sized discharge piping
- Protects orifices in LPP systems, sand filters and other applications
- Last digits of part numbers indicates pipe size
- May be installed on top or bottom of pipe
- Slotted openings provide dispersion of effluent



Product Information 028 / Pricing 189



Materials

Orifice Shield

- Injected molded PVC plastic

Warranty for Defects in Material and Workmanship

- Orifice Shields - 2 Years

Quanics
Engineering Water Solutions™

P.O. Box 1520, Crestwood, Ky, 40014

Copyright 2006, Quanics Incorporated, All rights reserved.
Product(s) covered by one or more U.S. and/or international patents. Other U.S. and international patents may be pending.