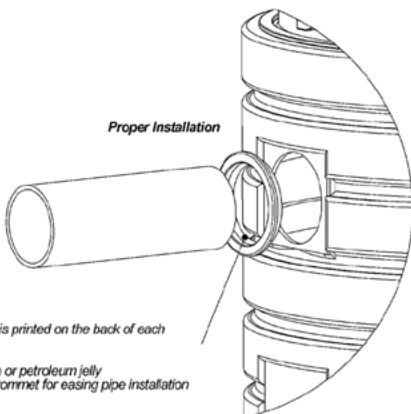
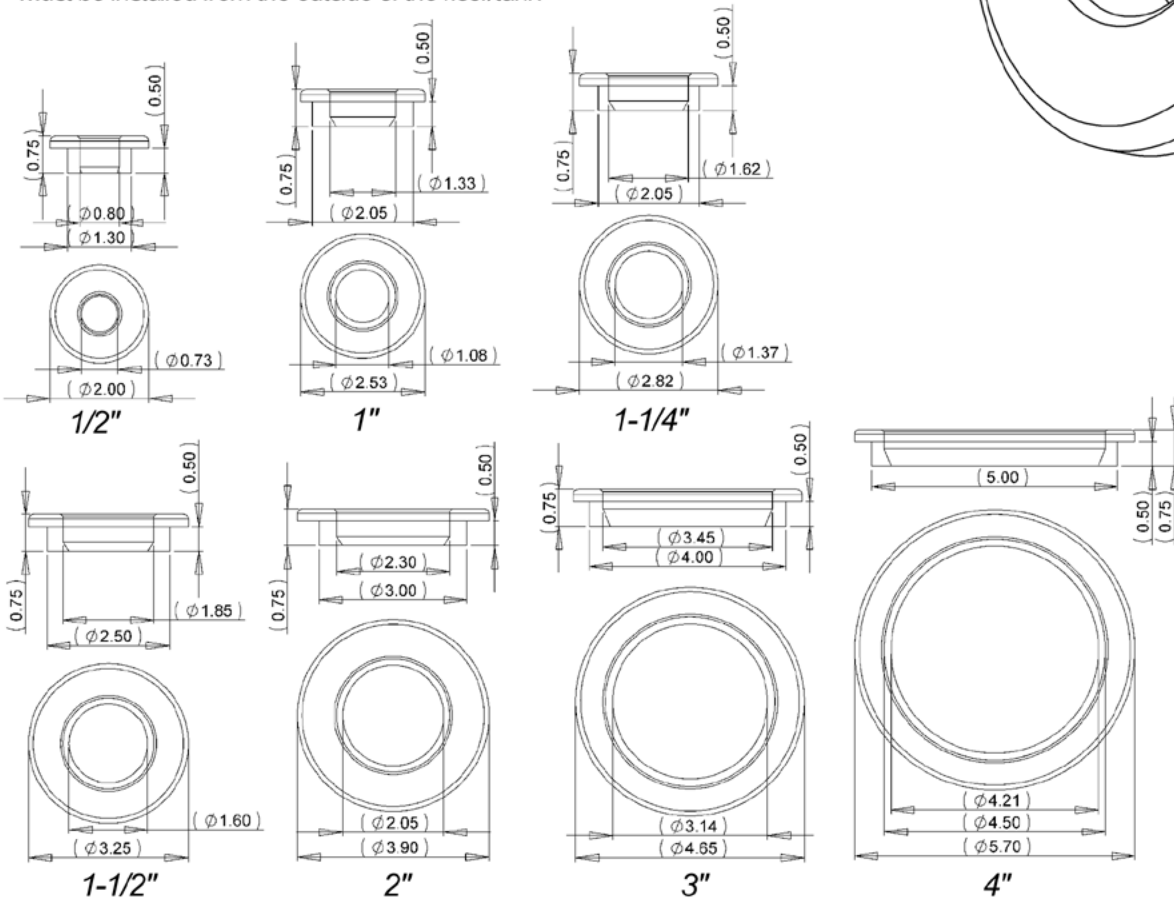
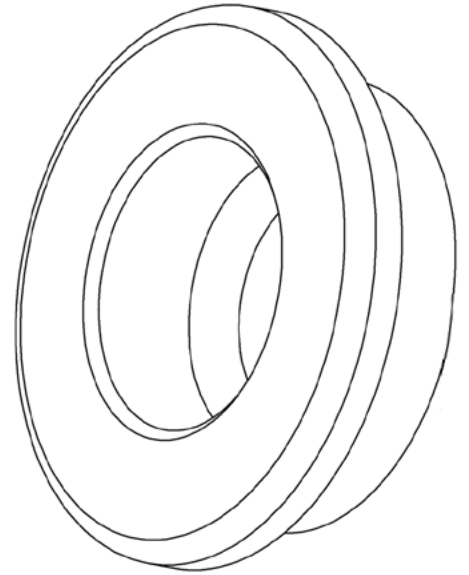


STEP Systems Pressure Distribution (Grommets)

PDS-GT-.50, PDS-GT-1.0, PDS-GT-1.25, PDS-GT-1.5, PDS-GT-2.0
PDS-GT-3.0, PDS-GT-4.0-35, PDS-GT-4.0-40

Features

- Rubber grommets may be installed in plastic or fiberglass risers/tanks
- Create a watertight seal around a variety of pipe diameters
- Install using an appropriately sized hole saw as listed on the back of each grommet
- Must be installed from the outside of the riser/tank



Installation Tips:

Proper hole saw size is printed on the back of each Grommet.

Put dishwashing soap or petroleum jelly on the inside of the grommet for easing pipe installation

Materials

- 65 Durometer PVC

Warranty for Defects in Material and Workmanship

- Grommets - 2 Years

Quanics
Engineering Water Solutions™

P.O. Box 1520, Crestwood, Ky, 40014

Copyright 2006, Quanics Incorporated, All rights reserved

Product(s) covered by one or more U.S. and/or International patents. Other U.S. and International patents may be pending.