



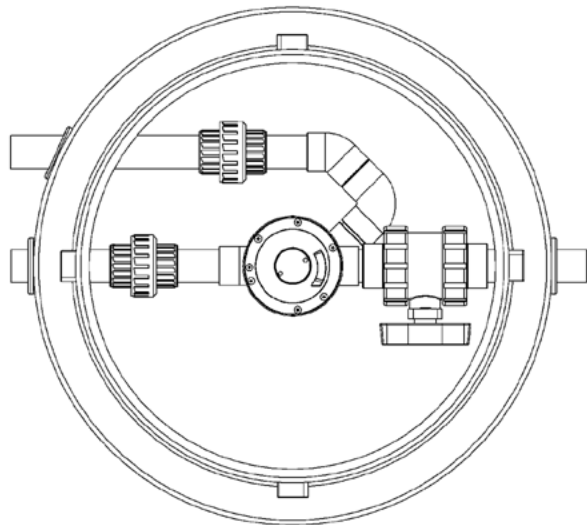
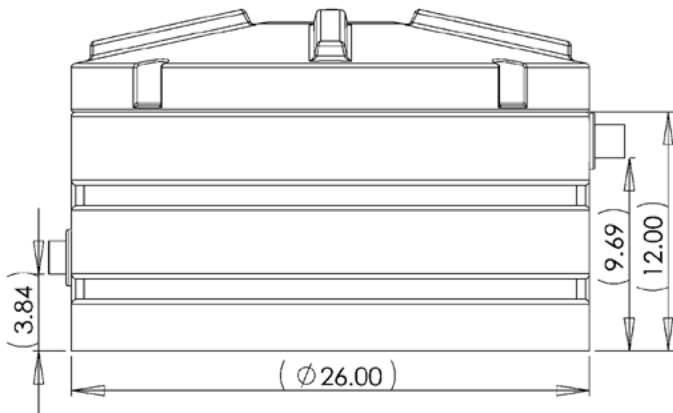
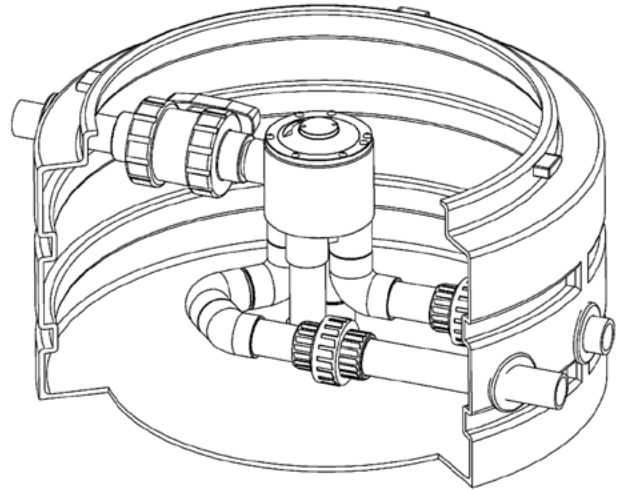
STEP Systems Pressure Distribution (Distribution Valve Assembly)

PDS-DV-4-4-2-AP

Features

- Two zone 4000 Series pressure distribution valve assembly package
- Pre-plumbed package with valve, true union ball valve, clear pipe sections, quick disconnects, grommets and polyethylene basin with lid
- Additional risers may be added to basin to bring to grade
- Rated at 25-75 psi
- Pressure Loss through valve:

| | | | | | |
|------------|-----|-----|-----|-----|------|
| Flow (gpm) | 20 | 40 | 60 | 80 | 100 |
| Psi Loss | 2.5 | 3.5 | 5.0 | 7.5 | 10.0 |



Materials

4000 Series Valve Top and Housing

- Die cast metal

Valve Outlets

- High Strength ABS polymer
- 1.25" inlet hub
- 1.25" outlet hubs

Basin and Lid

- 26" x 12" polyethylene basin
- 26" diameter lid
- Neoprene gasket
- Stainless steel fasteners

Effluent Discharge Assembly

- 1.25" true union ball valve and quick disconnects
- 1.25" SCH 40 PVC Pipe
- 1.25" clear PVC
- 1.25" grommets

Warranty for Defects in Material and Workmanship

- 4000 Series Valve - 2 Years
- Basin and Lid - 2 Years
- Effluent Discharge Assembly - 2 years



P.O. Box 1520, Crestwood, Ky, 40014

Copyright 2006, Quanics Incorporated, All rights reserved
Product(s) covered by one or more U.S. and/or international patents. Other U.S. and international patents may be pending.