



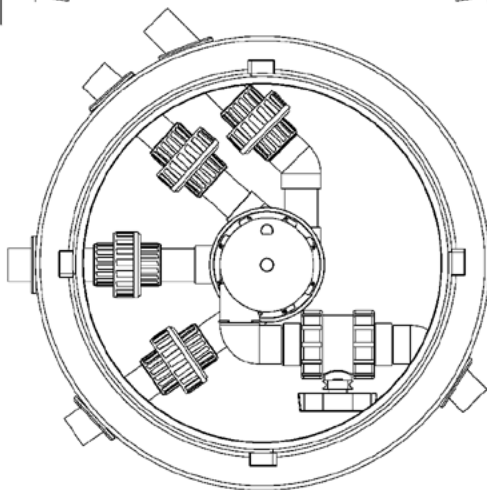
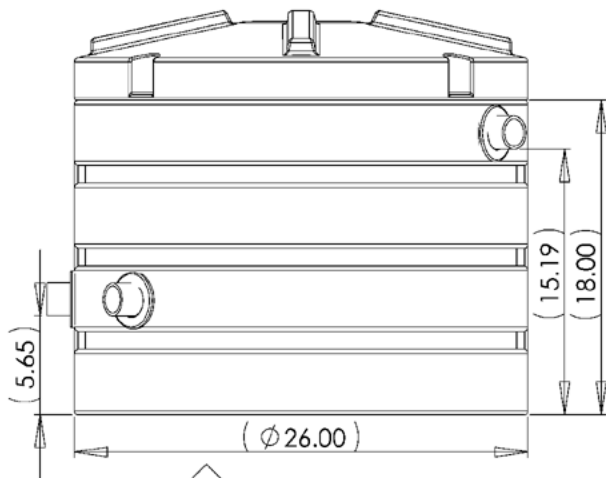
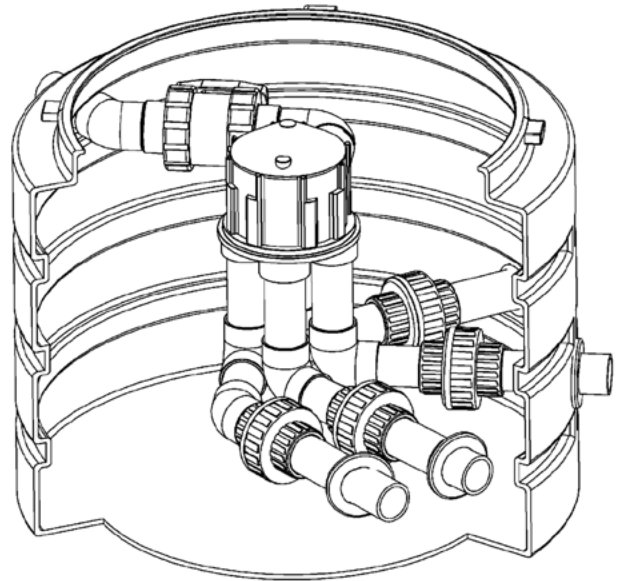
STEP Systems Pressure Distribution (Distribution Valve Assembly)

PDS-DV-6-4-4-AP

Features

- Four zone 6000 Series pressure distribution valve assembly package
- Pre-plumbed package with valve, true union ball valve, clear pipe sections, quick disconnects, grommets and polyethylene basin with lid
- Additional risers may be added to basin to bring to grade
- Rated at 25-150 psi
- Pressure Loss through valve:

Flow (gpm)	20	40	60	80	100
Psi Loss	2.5	3.5	5.0	7.5	10.0



Materials

6000 Series Valve Top and Housing

- Die cast metal

Valve Outlets

- High Strength ABS polymer
- 1.50" inlet hub
- 1.50" outlet hubs

Basin and Lid

- 26" x 18" polyethylene basin
- 26" diameter lid
- Neoprene gasket
- Stainless steel fasteners

Effluent Discharge Assembly

- 1.50" true union ball valve and quick disconnects
- 1.50" SCH 40 PVC Pipe
- 1.50" clear PVC
- 1.50" grommets

Warranty for Defects in Material and Workmanship

- 6000 Series Valve - 2 Years
- Basin and Lid - 2 Years
- Effluent Discharge Assembly - 2 Years



P.O. Box 1520, Crestwood, Ky, 40014

Copyright 2006, Quanics Incorporated, All rights reserved
Product(s) covered by one or more U.S. and/or international patents. Other U.S. and international patents may be pending.

1-877-QUANICS (782-6427)

www.quanics.net