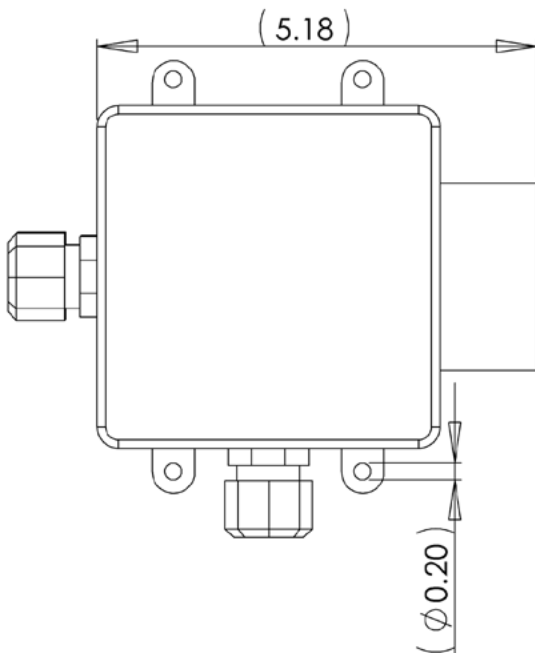
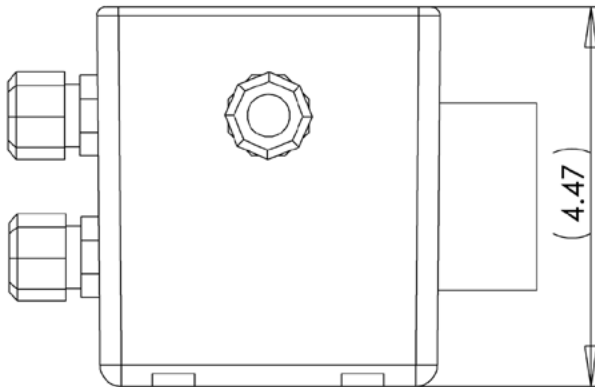
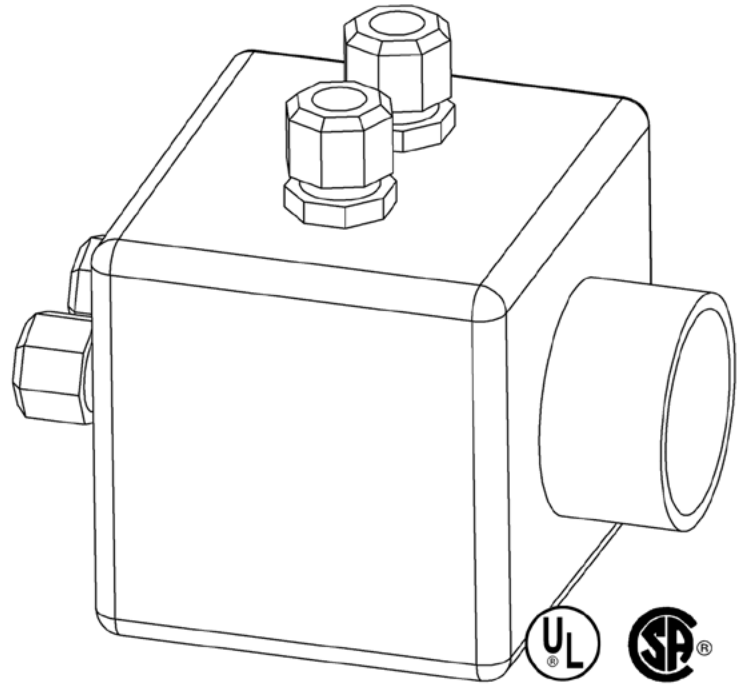




STEP Systems Alarms & Controls (Splice Boxes) AC-JSB-3, AC-JSB-4

Features:

- NEMA 4X enclosure rated for outdoor use
- External mounting feet included
- Available with 3 or 4 liquid tight connectors



Materials

Lid & Box

- High impact, corrosion resistant thermoplastic
- Weatherproof
- 1/2" UL approved, CSA Certified round cable liquid-tight strain relief connectors
- 1-1/2" terminal adapter hub

Gasket

- Flexible PVC

Screws

- Brass

Warranty for Defects in Material and Workmanship

- AC-JSB-3 - 3 Years
- AC-JSB-4 - 3 Years



P.O. Box 1520, Crestwood, Ky, 40014

Copyright 2006, Quanics Incorporated, All rights reserved
Product(s) covered by one or more U.S. and/or international patents. Other U.S. and international patents may be pending.