

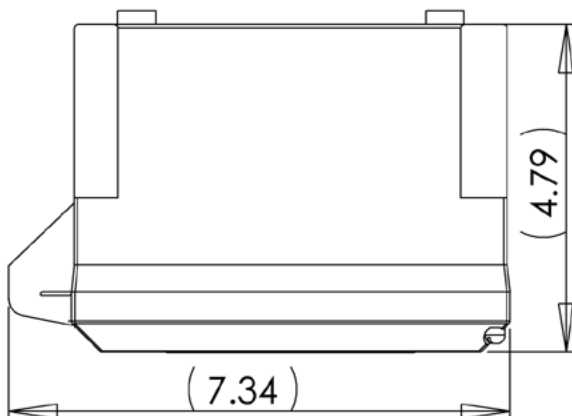
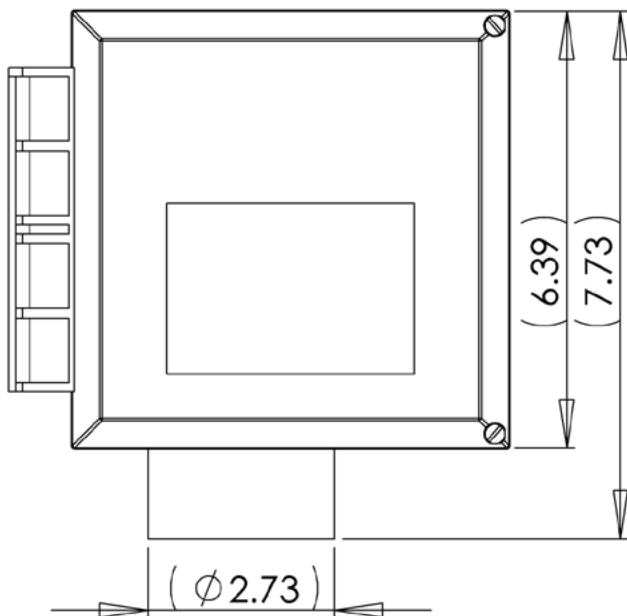


## STEP Systems Alarms & Controls (Pluggar Box)

### AC-JPB

#### Features:

- NEMA 4X enclosure rated for outdoor use
- Hinged cover for convenience
- Receptacle for pump & pump switch



#### Specifications

##### Enclosure

- High impact, corrosion resistant thermoplastic
- Weatherproof
- 2" terminal adapter hub

##### Voltage

- 120 VAC primary voltage

##### Receptacle

- 120 VAC - NEMA type 5-15; 230 VAC NEMA type 6-15

##### Cord Seal

- Liquid-tight cord seal with strain relief

##### Warranty for Defects in Material and Workmanship

- AC-JPB - 3 Years



P.O. Box 1520, Crestwood, Ky, 40014

Copyright 2006, Quanics Incorporated, All rights reserved  
Product(s) covered by one or more U.S. and/or international patents. Other U.S. and international patents may be pending.

1-877-QUANICS (782-6427)

www.quanics.net