

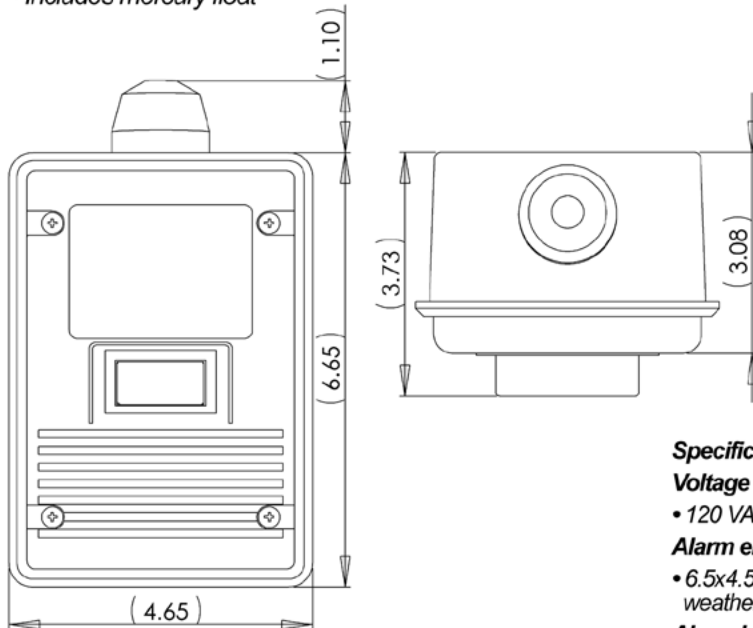
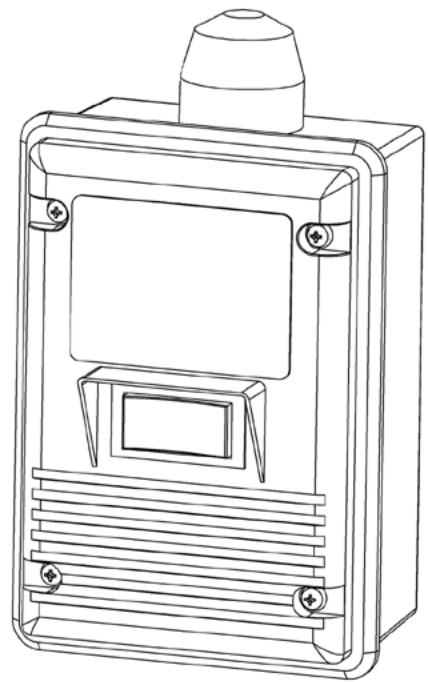


## STEP Systems Alarms & Controls (High Water Alarms)

### AC-A-O

#### Features

- High water alarm for indoor/outdoor use
- Red warning beacon, alarm test switch, and horn silence switch
- Includes mercury float



#### Specifications

##### Voltage

- 120 VAC, 50/60 Hz, 7 watts max. (alarm condition)

##### Alarm enclosure

- 6.5x4.5x3.0 inch (16.51x11.43x7.62 cm), indoor-outdoor, weatherproof, thermoplastic meets 3R water-tight standards

##### Alarm horn

- 82 decibels at 10 feet

##### Alarm beacon

- Meets Type 3R water-tight standards as installed by factory

##### Test/Silent Switch

- Certified to IP66 and IP68 standards

##### Float Switch

- Sensor float control switch with mounting clamp

##### Cable

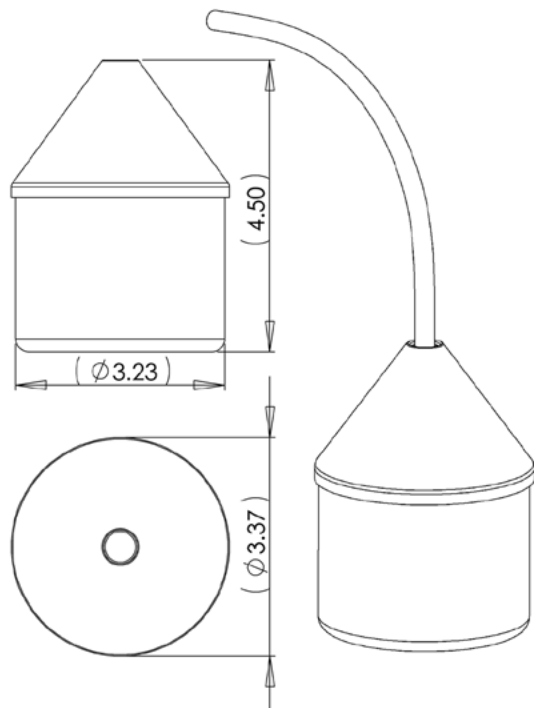
- 15 feet (4.57 meters), flexible 18 gauge, 2 conductor (UL) SJOW water-resistant (CPE)

##### Float

- Mercury float switch

##### Warranty for Defects in Material and Workmanship

- AC-A-O - 3 Years



P.O. Box 1520, Crestwood, Ky, 40014

Copyright 2006, Quanics Incorporated, All rights reserved  
Product(s) covered by one or more U.S. and/or international patents. Other U.S. and international patents may be pending.

1-877-QUANICS (782-6427)

www.quanics.net