

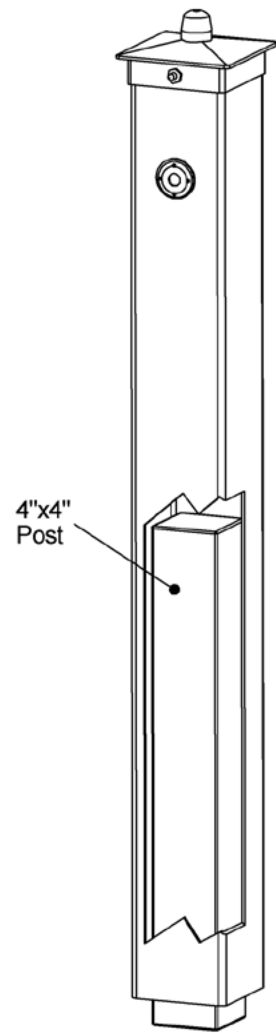
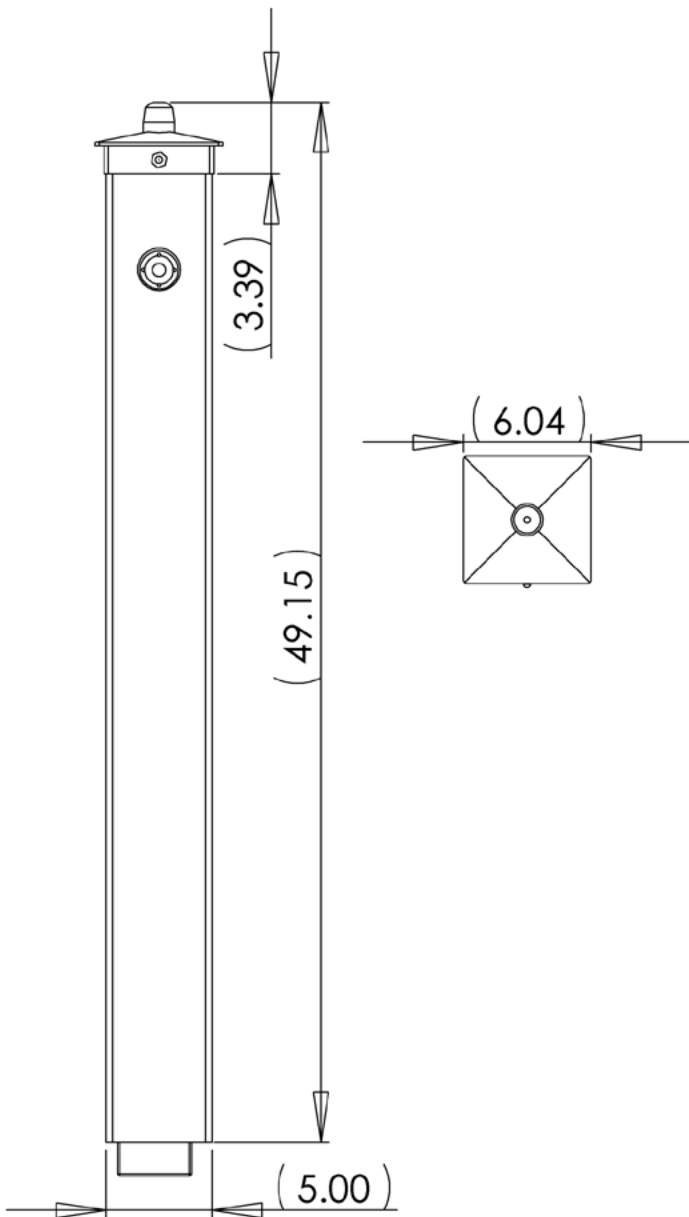


STEP Systems Alarms & Controls (High Water Alarm)

AC-A-PED, AC-A-PED-PMS

Features

- Pedestal high water alarm for outdoor use
- Pull out assembly for easy wiring
- Convenient Test/Normal/Silence switch mounted externally
- Receptacle for 120V pump
- Mercury high water float
- AC-A-PED-PMS includes pump float
- 360° audio/visual check for alarm condition



Specifications

Voltage

- 120 VAC, 50/60 Hz

Enclosure Size

- 5"X5"X4" (12.7x12.7x12.9cm)

Alarm Voltage

- 120 VAC, 50/60 Hz

Alarm Float

- Mercury float control switch with mounting clamp

Pump Float

- Mechanical float control switch with mounting clamp

Alarm Horn

- 83-85 decibel rating

Cable

- 20 feet (6.10 meters), flexible 18 gauge, 2 conductor (UL) SJOW water-resistant PVC housing for use in sewage and non-potable water up to 140° F (60C)

Warranty for Defects in Material and Workmanship

- AC-A-PED, AC-A-PED-PMS - 3 Years

Quanics
Engineering Water Solutions™

P.O. Box 1520, Crestwood, Ky, 40014

Copyright 2006, Quanics Incorporated, All rights reserved
Product(s) covered by one or more U.S. and/or International patents. Other U.S. and International patents may be pending.