

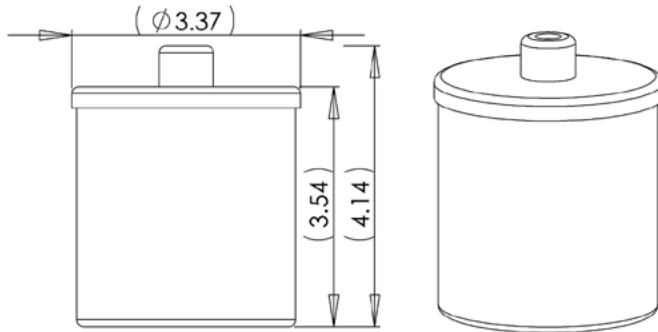


STEP Systems Alarms & Controls (Float Switches)

AC-PMS (Pump Float Switch)

Features

- Mechanically-activated pump switch
- Adjustable pumping range of 7 to 36 inches



Specifications

Cable - Flexible 16 gauge, 2 conductor (UL, CSA) SJOW

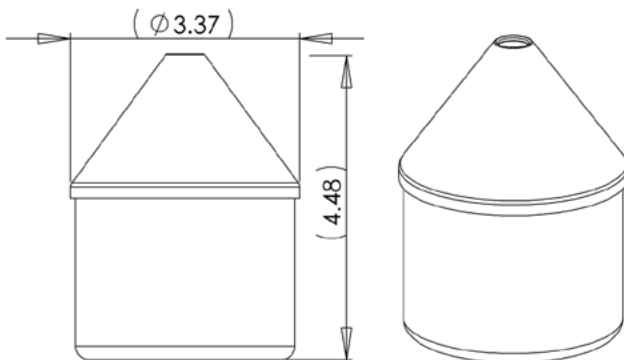
Float - High impact, corrosion resistant PVC

Electrical - 120 VAC 50/60 Hz Single Phase, 1/2 HP or less recommended pump HP; 230 VAC 50/60 Hz Single Phase, 1 HP or less recommended pump HP

AC-MFS (Mercury Float Switch)

Features

- Mercury activated control switch
- Control differential of .5 inches above or below horizontal



Specifications

Cable - Flexible 18 gauge, 2 conductor (UL, CSA) SJOW

Float - High impact, corrosion resistant PVC

Maximum Water Depth - 30 feet, 13 psi

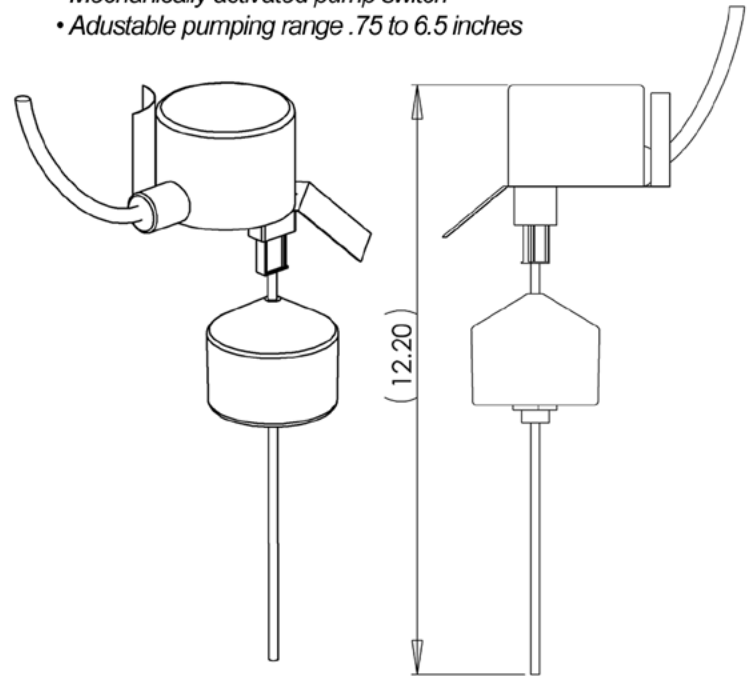
Mercury Tilt Switch - Single pole, single throw, mercury to mercury contacts

Electrical - 5 amp, 120/230 VAC, 50/60 Hz

AC-VMS (Vertical Float Switch)

Features

- Mechanically activated pump switch
- Adjustable pumping range .75 to 6.5 inches



Specifications

Cable - Flexible 16 gauge, 2 conductor (UL, CSA) SJOW

Float Assembly

- Mounting Bracket & Hose Clamp - Stainless steel
- Lift Rod - Injection molded acetal plastic
- Float Stop - Neoprene

Switch and Float Housing - High impact, corrosion resistant PVC

Electrical

- 120 VAC 50/60 Hz Single Phase; 13 amp max. pump running current; 60 amp max. pump starting current
- 230 VAC 50/60 Hz Single Phase; 12 amp max. pump running current; 60 amp max. pump starting current

Warranty for Defects in Material and Workmanship

- AC-PMS - 3 Years
- AC-MFS - 3 Years
- AC-VMS - 3 Years



P.O. Box 1520, Crestwood, Ky, 40014

Copyright 2006, Quanics Incorporated, All rights reserved
Product(s) covered by one or more U.S. and/or International patents. Other U.S. and International patents may be pending.