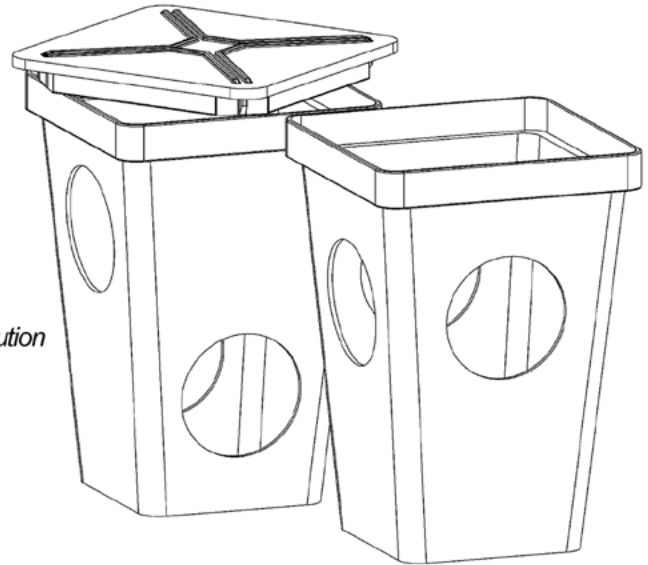


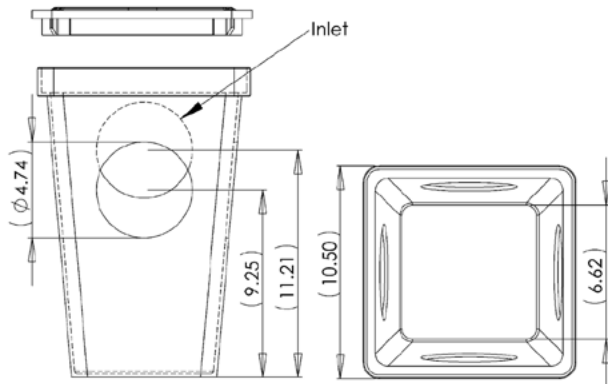
Gravity Distribution Distribution Devices

Features

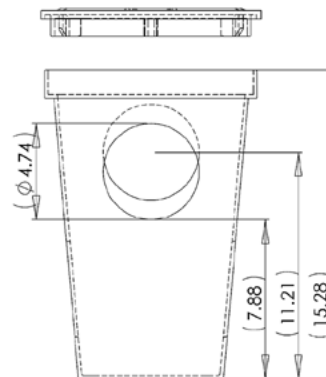
- Equal flow and drop boxes for distributing effluent to drain field
 - Use in conjunction with Speed Levelers to achieve optimum distribution
 - Each box includes appropriate number of patented snap-in seals
- GDS-DB-4D includes 1 SCH 40, 3 SDR35 and 1 Plug
 GDS-DB-4L includes 1 SCH 40, 3 SDR 35 and 1 Plug
 GDS-DB-6L includes 1 SCH 40, 5 SDR 35 and 2 Plugs



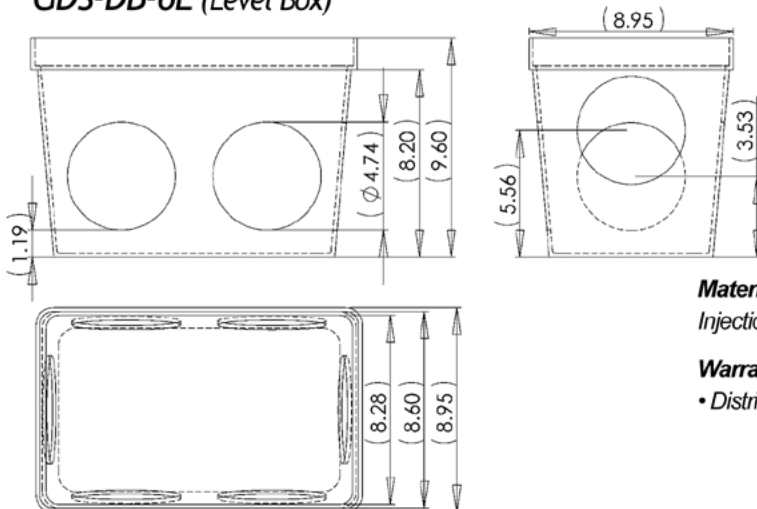
GDS-DB-4L (Level Box)



GDS-DB-4D (Drop Box)



GDS-DB-6L (Level Box)



Materials:

Injection molded high density polyethylene plastic

Warranty for Defects in Material and Workmanship

- Distribution Boxes - 1 Year