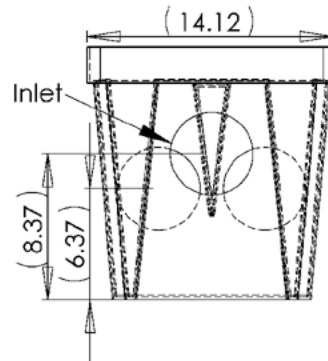
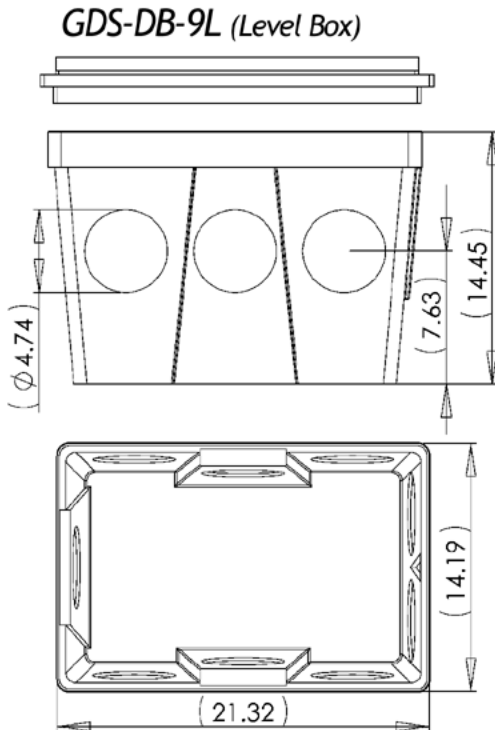
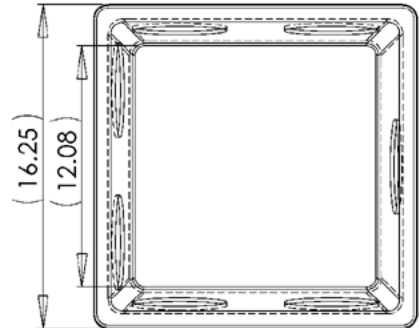
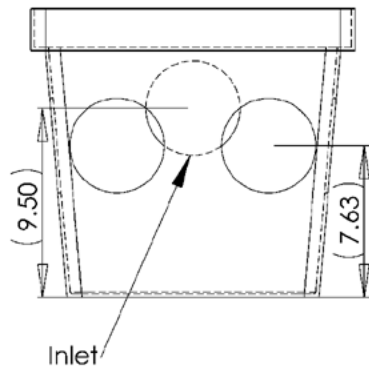
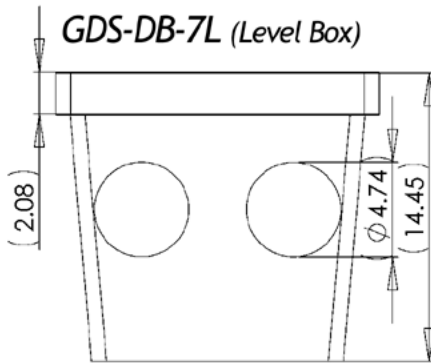
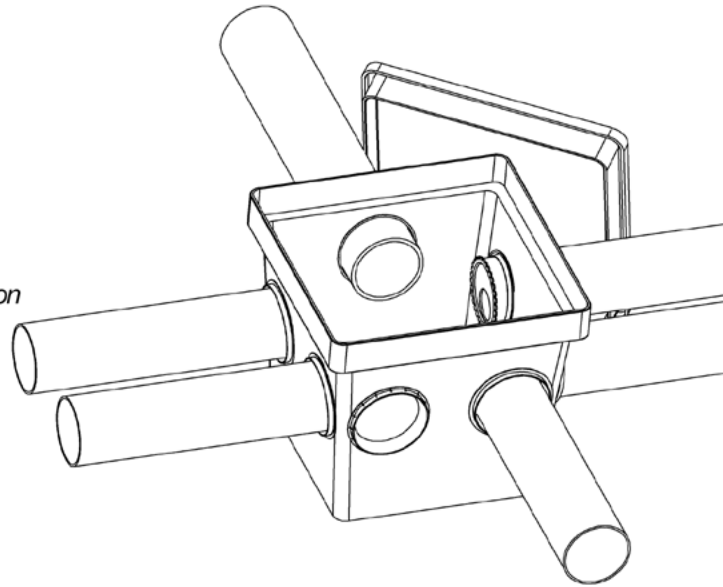


## Gravity Distribution Distribution Devices

### Features

- Equal flow and drop boxes for distributing effluent to drain field
- Use in conjunction with Speed Levelers to achieve optimum distribution
- Each box includes appropriate number of patented snap-in seals  
 GDS-DB-7L includes 1 SCH 40, 6 SDR 35 and 2 Plugs  
 GDS-DB-9L includes 1 SCH 40, 8 SDR 35 and 2 Plugs



### Materials:

Injection molded high density polyethylene plastic

### Warranty for Defects in Material and Workmanship

- Distribution Boxes - 1 Year



P.O. Box 1520, Crestwood, Ky, 40014

Copyright 2006, Quanics Incorporated, All rights reserved  
 Product(s) covered by one or more U.S. and/or international patents. Other U.S. and international patents may be pending.