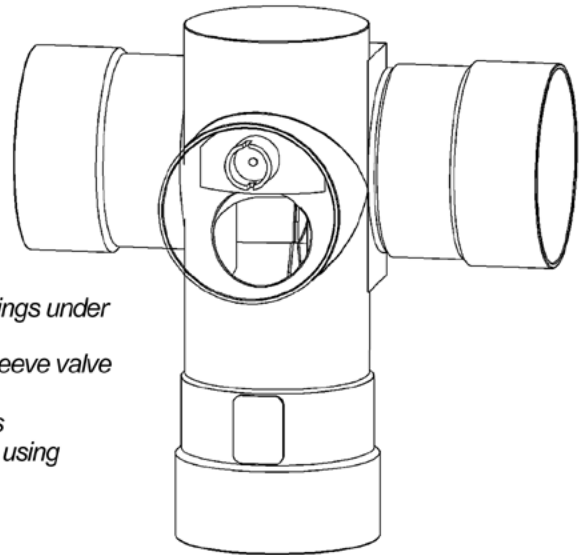


Gravity Distribution Distribution Devices (Flow Divider/Director)

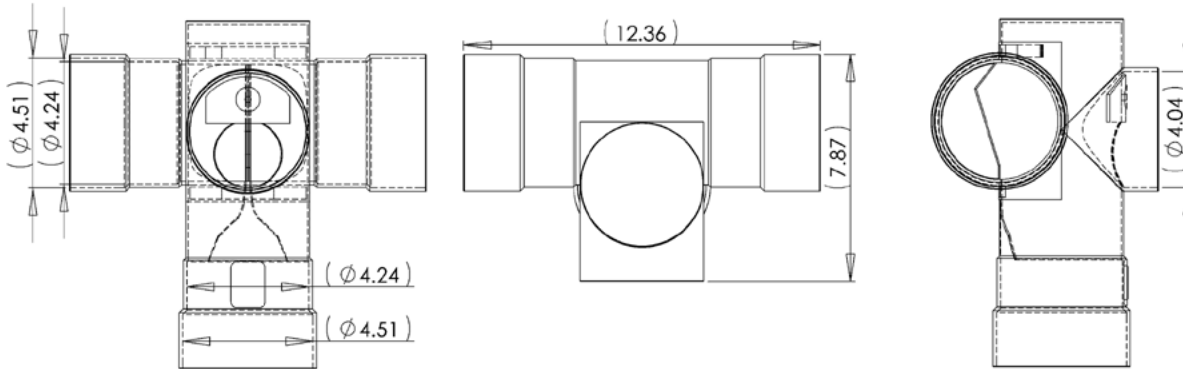
Features

- GDS-Z300 utilizes a central weir to divide effluent evenly between two openings under gravity flow conditions
- GDS-Z300D may be used to alternate between two fields with a patented sleeve valve
- Patented design allows attachment to either 4" SDR 35 or SCH 40 pipe
- Monitoring hub may be extended to grade for easy viewing and adjustments
- Laboratory test results conducted by Dr. Bob Rubin Ed.D on the GDS-Z300 using 1000 ml samples at 3 gpm:

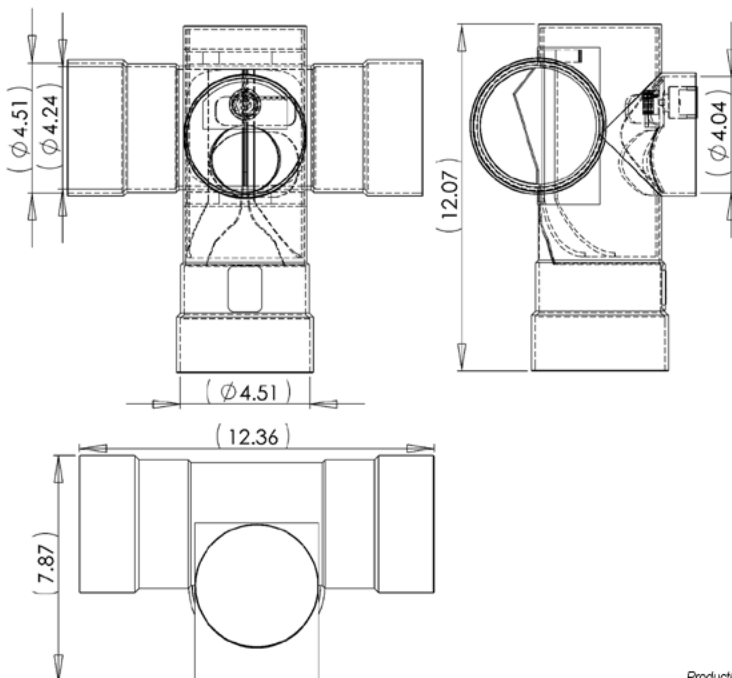
Position	Right Port Distribution	Left Port Distribution
Level	50.03%	49.97%
1/16" Tilt	50.2%	49.8%
1/8" Tilt	51.3%	48.7%



GDS-Z300 (Flow Divider)



GDS-Z300D (Flow Director)



Materials:

Injection molded PVC Plastic

Warranty for Defects in Material and Workmanship

- GDS-Z300 and GDS-Z300D- 2 Years

Quanics
Engineering Water Solutions™

P.O. Box 1520, Crestwood, Ky, 40014

Copyright 2006, Quanics Incorporated, All rights reserved
Product(s) covered by one or more U.S. and/or international patents. Other U.S. and international patents may be pending.