

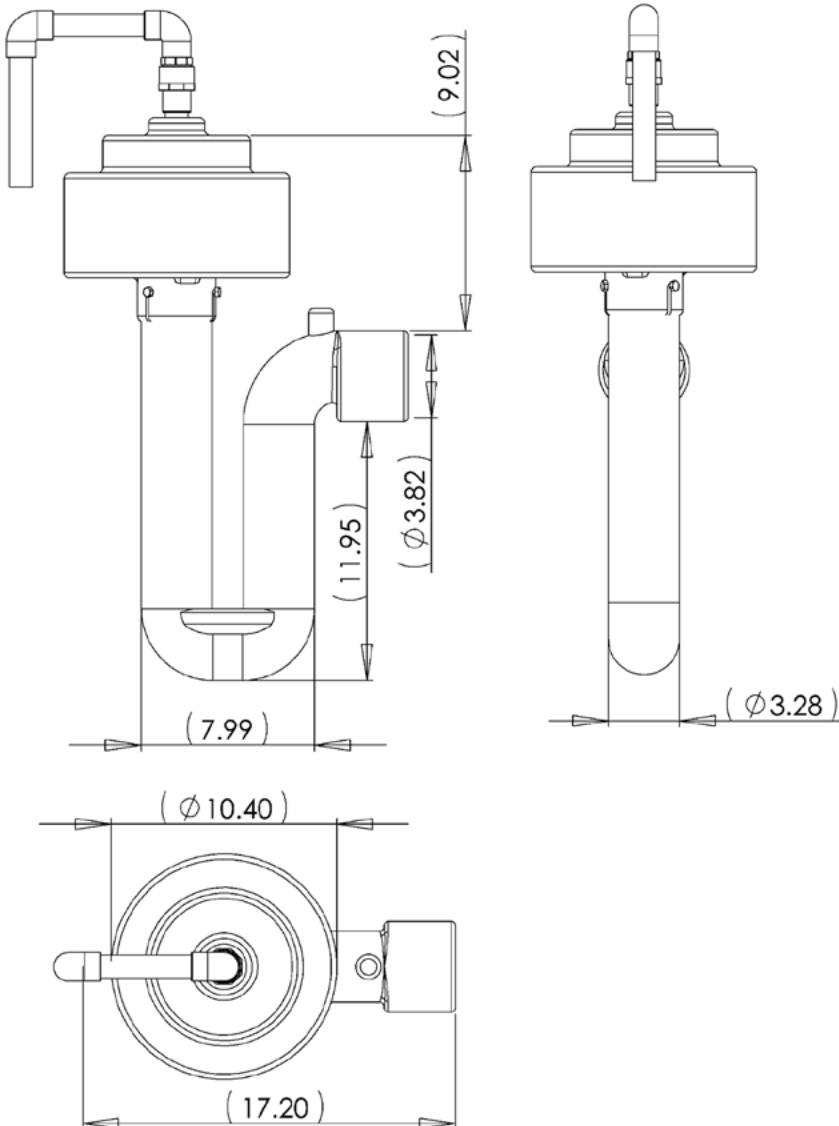
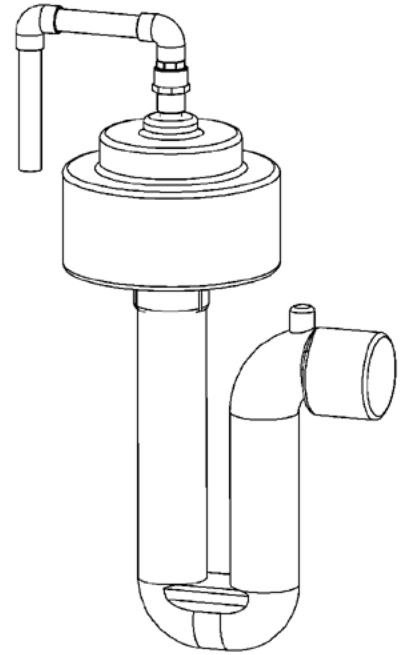


Gravity Distribution Distribution Devices (Dosing Siphons)

GDS-DS-3T

Features

- Provide dosing and resting cycles to soil absorption fields, sand filters and other onsite systems without the use of electricity
- Installs directly into the tank via a variety of methods
- Operates only under conditions where discharge pipe runs flat or downhill from the siphon
- Contains no moving parts - operates on the hydraulic force of the liquid rising in the tank
- Performance:
 - 13" draw down
 - 72 gpm average discharge rate
 - 48 gpm minimum discharge rate



Materials:

Siphon Trap and Bell

- Molded from high density polyethylene plastic
- 3" diameter trap
- 10" diameter bell
- Discharge hub connects to 4" SDR 35 pipe

Vent Piping

- SCH40 PVC pipe and fittings

Bolts

- Stainless steel

Warranty for Defects in Material and Workmanship

- GDS-DS-3T - 1Year



P.O. Box 1520, Crestwood, Ky, 40014

Copyright 2006, Quanics Incorporated, All rights reserved
Product(s) covered by one or more U.S. and/or international patents. Other U.S. and international patents may be pending.