

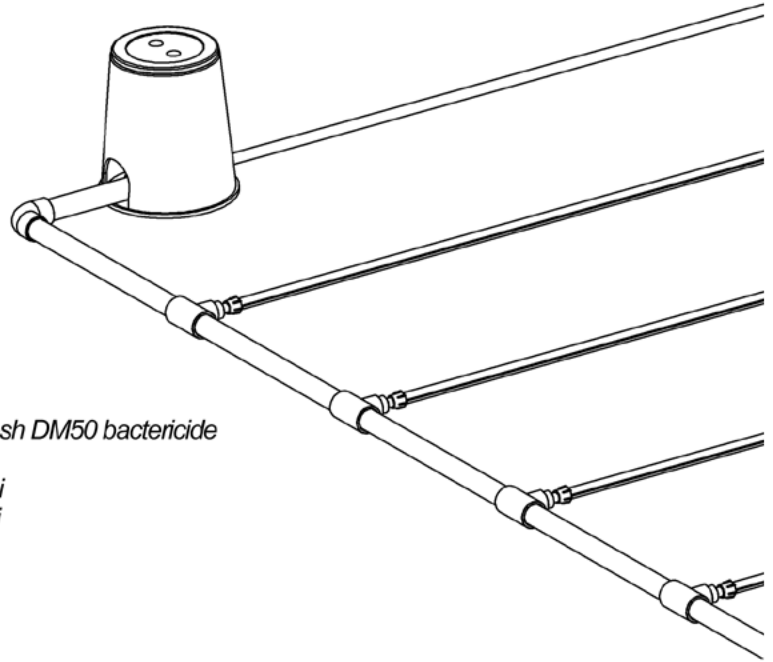


Disposal Systems Drip Irrigation (Drip Tubing)

PDS-DT-24, PDS-DT-24-PC, PDS-DT-24-PC-1

Features

- Flexible 1/2" polyethylene drip tubing for uniformly distributing secondary quality effluent
- Drip tubing includes ROOTGUARD® protection and Ultra-Fresh DM50 bactericide
- Emitters spaced every 2 feet along tubing
- Non-pressure compensating emitter delivers 1.3 gph at 20 psi
- Pressure compensating emitters delivers 0.53 gph at 7-60 psi
- PDS-DT-24-PC-1 delivers 1.0 gph at 7-60 psi



Emitters



Materials:

Drip Tubing

- Nominal sized one-half inch linear low density polyethylene tubing
- Bactericide incorporated into inside layer of tubing
- Turbulent flow drip emitters bonded to the inside wall molded from virgin polyethylene resin
- Each emitter impregnated with Treflan to prevent root intrusion

Warranty for Defects in Material and Workmanship

- Drip Tubing - Ten years when installed below ground
- Drip Tubing - Two years when installed above ground
- ROOTGAURD - Products containing the ROOTGAURD protection are warranted to be free from root intrusion for a period of ten years from the date of purchase



P.O. Box 1520, Crestwood, Ky, 40014

Copyright 2006, Quanics Incorporated, All rights reserved

Product(s) covered by one or more U.S. and/or international patents. Other U.S. and international patents may be pending.

1-877-QUANICS (782-6427)

www.quanics.net