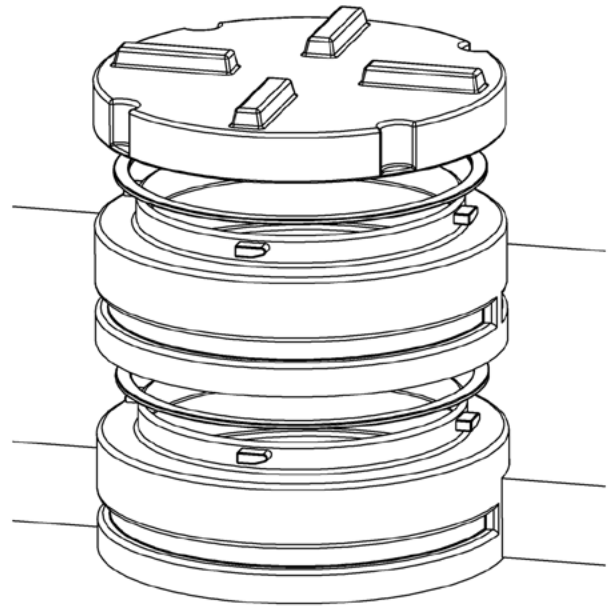


## STEP Systems

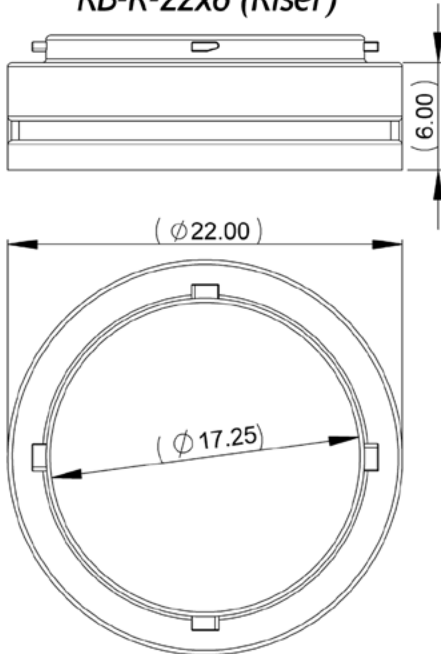
### Access System (22" Diameter Access Components)

#### Features

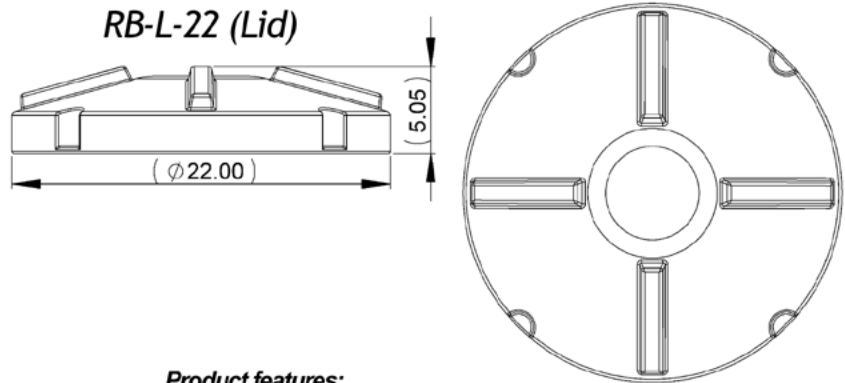
- Patented 22" polyethylene risers
- All components include twist lock tabs
- Tamper resistant fasteners and special fastening tool included with each lid
- Tested to withstand up to a 2500 lb wheel load
- May be cast-in or retrofit to primary and pump tanks



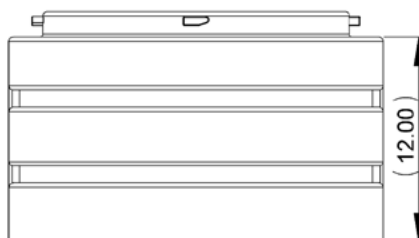
RB-R-22x6 (Riser)



RB-L-22 (Lid)



RB-R-22x12 (Riser)



#### Product features:

##### Risers and Lids

- High density non-corrosive polyethylene plastic
- Stainless steel screws
- Neoprene gasket

##### Warranty for Defects in Material and Workmanship

- Risers and Lids - 2 Years

#### IMPORTANT:

- When adding risers together for deeper installations Zabel does not recommend exceeding a maximum depth of 48".
- Neoprene gaskets must be installed as per instructions
- To prevent unauthorized entry install all tamper resistant fasteners as per instructions

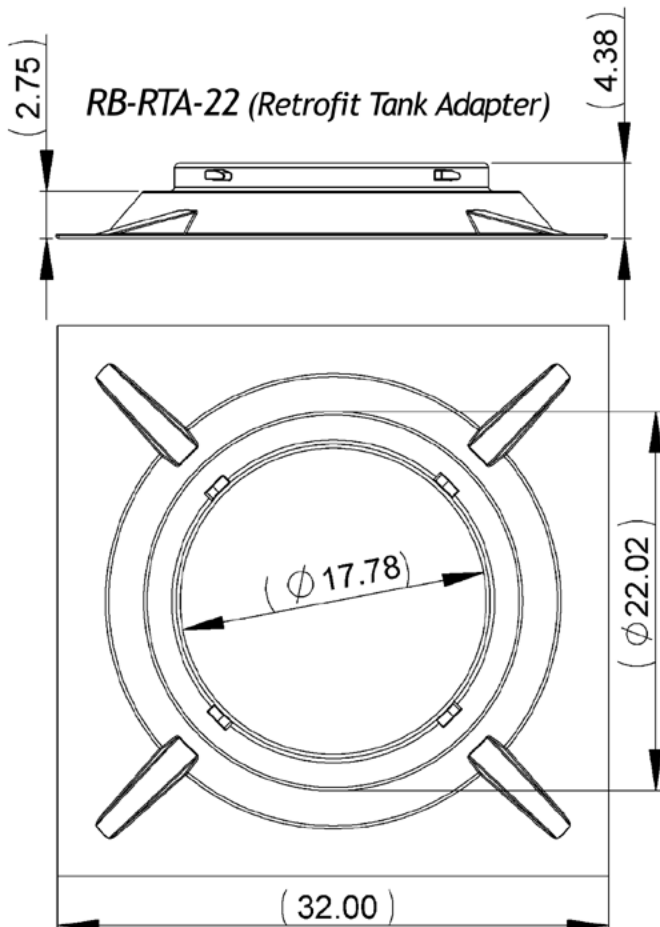
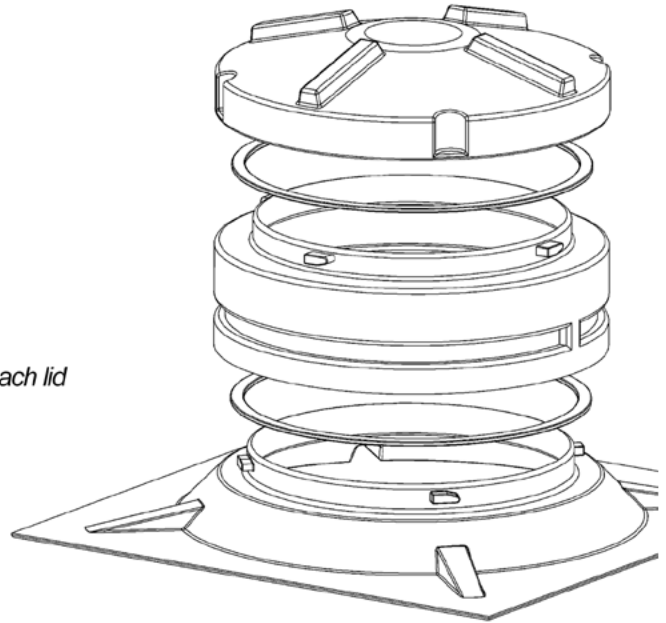


## STEP Systems

### Access System (22" Diameter Access Components)

#### Features

- Patented 22" polyethylene risers
- All components include twist lock tabs
- Tamper resistant fasteners and special fastening tool included with each lid
- Tested to withstand up to a 2500 lb wheel load
- May be cast-in or retrofit to primary and pump tanks



#### Product features:

##### Risers and Lids

- High density non-corrosive polyethylene plastic
- Stainless steel screws
- Neoprene gasket

##### Warranty for Defects in Material and Workmanship

- Risers and Lids - 2 Years

#### IMPORTANT:

- When adding risers together for deeper installations Zabel does not recommend exceeding a maximum depth of 48".
- Neoprene gaskets must be installed as per instructions
- To prevent unauthorized entry install all tamper resistant fasteners as per instructions



P.O. Box 1520, Crestwood, Ky, 40014

Copyright 2006, Quanics Incorporated, All rights reserved

Product(s) covered by one or more U.S. and/or International patents. Other U.S. and International patents may be pending.

1-877-QUANICS (782-6427)

www.quanics.net