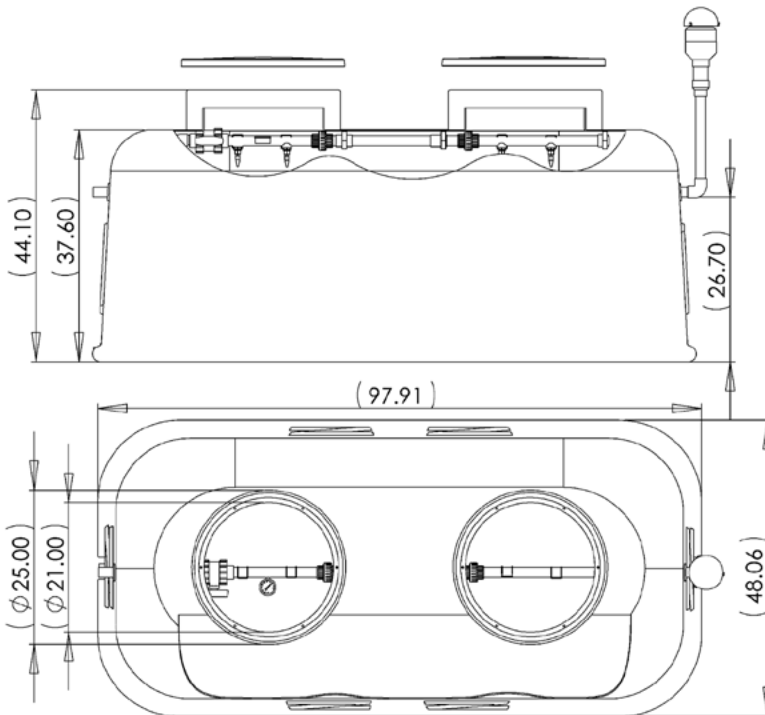
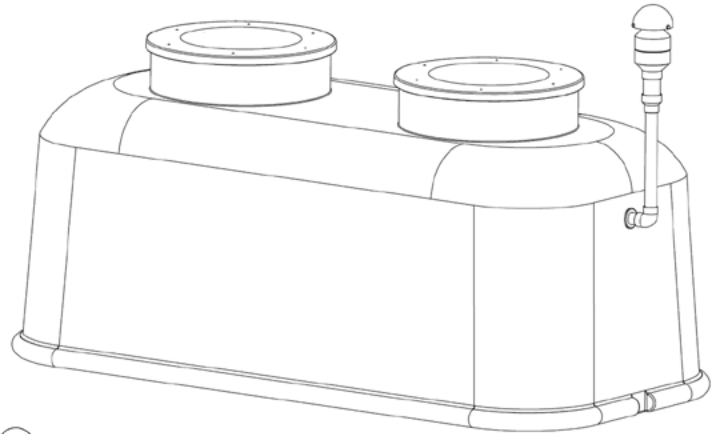




ADVANCED TREATMENT SCAT® Biofilter ATS-SCAT-8-AC-1000

Features

- 1000 gallon per day Advanced Treatment System
- Single-piece fiberglass construction
- Utilizes open cell foam fixed media
- Treats wastewater to secondary or tertiary levels



Materials

SCAT Module

- ISO Resin Fiberglass for corrosion and chemical resistance
- Nominal 3/16" wall thickness
- Sealed interior and exterior finish with no laminate exposure
- Contact molded with optimum 33% glass to resin ratio
- Stainless steel tamper resistant hardware
- Two 26" diameter flat fiberglass lids

Effluent Discharge and Vent Assembly

- 1.25" Sch 40 PVC Piping
- Oil-filled pressure gauge
- True union ball valve
- Four PVC Snap-on spray nozzles
- Carbon Filter Vent

Open Cell Foam

- 85ft³ of open cell foam cubes
- 12.3 gpd/ft³ hydraulic loading rate
- .015 - .016 lbs/ft³/day organic loading rate
- Open cell foam contains 82% void space

Warranty for Defects in Material and Workmanship

- Fiberglass SCAT Module - 2 years
- Effluent Discharge and Vent Assembly - 2 years
- Open Cell Foam - 10 years



P.O. Box 1520, Crestwood, Ky, 40014

Copyright 2006, Quanics Incorporated, All rights reserved
Product(s) covered by one or more U.S. and/or International patents. Other U.S. and International patents may be pending.