



Advanced Treatment NSF Certified AeroCell Packages

ATS-PKG-AC-C500, ATS-PKG-AC-C750,
ATS-PKG-AC-C1000, ATS-PKG-AC-C1250,
ATS-PKG-AC-C1500

Features:

- Utilizes open cell foam fixed media
- Treats wastewater to secondary or tertiary levels

Models Include:

- Treatment module(s)
- STEP pump package
- Timed dosed control panel
- 80% Recirculation Device
- Effluent filter
- Risers and lids
- Carbon filter vent
- Not included:
Septic Tank
External piping

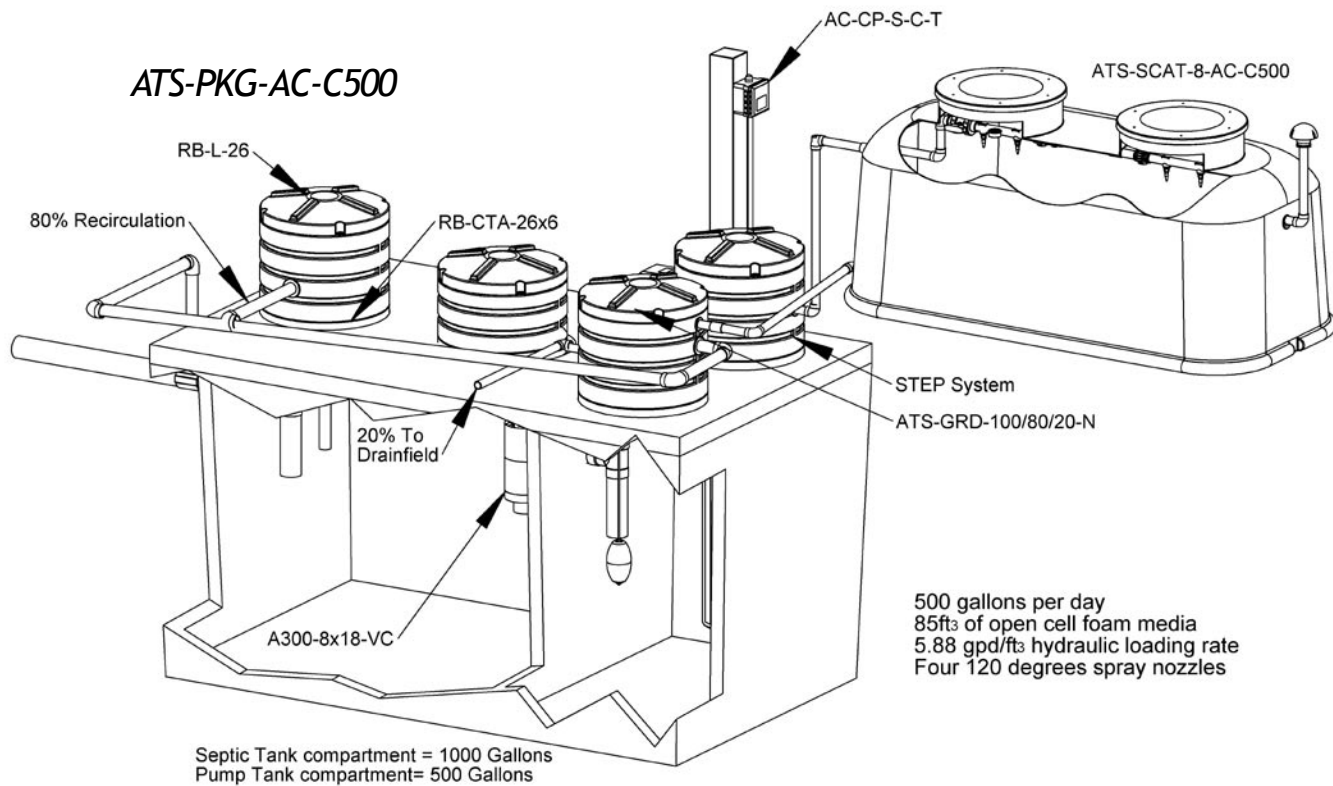
Package Specifications	
Design Flow	500-1500 gallons per day
Tank Hydraulic Capacity at Design Flow	
Septic Tank	1000-3000 gallons
Pump Tank	500-1500 gallons
Tank Hydraulic Retention Time (at design flow)	
First Compartment	48 hours
Second Compartment	24 hours
Effluent Filter	Zabel A300-8x18-VC or A300-8x26-VC
Open Cell Foam Media	
Size	~8 in ³ cubes
Void Space	82%
Density	1.45 – 1.65 lbs/ft ³
Moisture Holding	1 ft ³ holds 0.92 ft ³ of water
Loading Rate	5.88 gpd/ft ³
Spray Nozzles	
Quantity	4-12
Coverage	170° full cone pattern
Gallons per minute per nozzle	3.2

These design specifications are per NSF certification

Package Layouts

Package	Septic tank(s) gallons	Pump tank(s) gallons	# of treatment modules	Spray nozzles	Ft ³ Media
C500	1000	500	1	4	85
C750	1500	750	2	8	138
C1000	2000	1000	2	8	170
C1250	2500	1250	3	12	223
C1500	3000	1500	3	12	255

Check NSF Installation or O&M manuals for layouts. Also download dwg files from our website.



Certified to NSF/ANSI
Standard 40 Class 1

1-877-QUANICS - www.quanics.net

Quanics
Engineering Water Solutions™

© 2006, Quanics Inc. All rights reserved.
Product(s) covered by one or more U.S.
and/or International patents. Other U.S.
and International patents may be pending.

DOWNLOAD
AutoCAD
DRAWINGS