



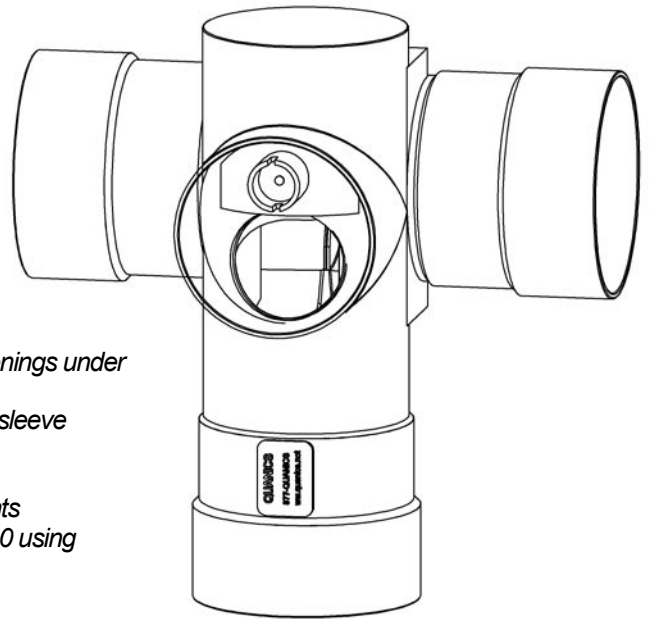
## Replacement Parts Flow Divider/Director

GDS-Z300, GDS-Z300D

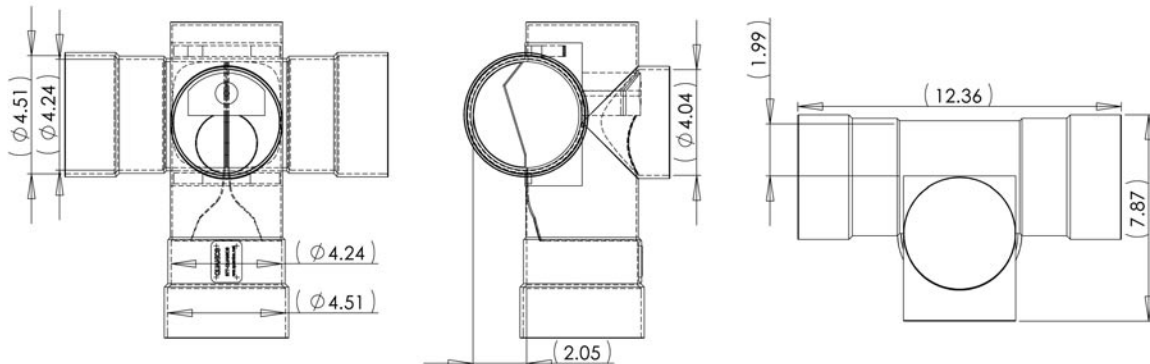
### Features:

- GDS-Z300 utilizes a central weir to divide effluent evenly between two openings under gravity flow conditions
- GDS-Z300D may be used to alternate between two fields with a patented sleeve valve
- Patented design allows attachment to either 4" SDR 35 or SCH 40 pipe
- Monitoring hub may be extended to grade for easy viewing and adjustments
- Laboratory test results conducted by Dr. Bob Rubin Ed.D on the GDS-Z300 using 1000 ml samples at 3 gpm:

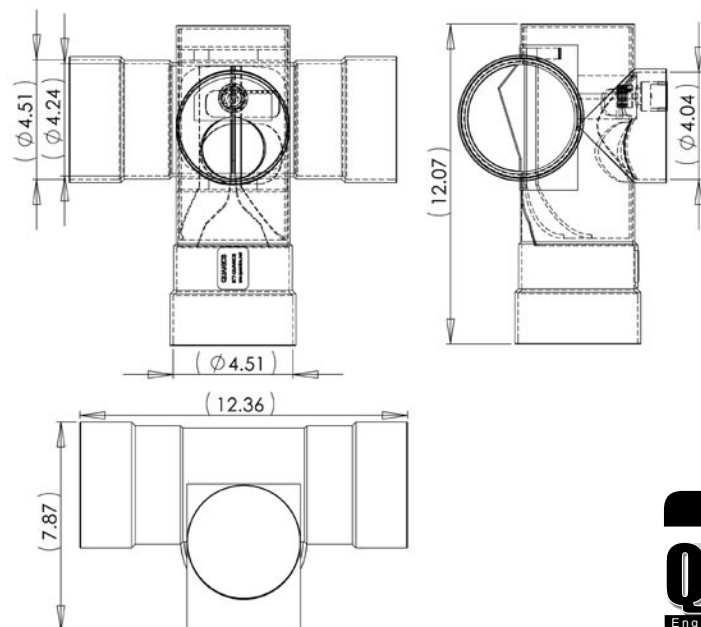
Position	Right Port Distribution	Left Port Distribution
Level	50.03%	49.97%
1/16" Tilt	50.2%	49.8%
1/8" Tilt	51.3%	8.7%



### GDS-Z300 (Flow Divider)



### GDS-Z300D (Flow Director)



### Materials:

Injection molded PVC plastic

**Warranty for defects in material and workmanship**  
2 years

**AutoCad dwg files available**  
[www.quanics.net](http://www.quanics.net)

**1-877-QUANICS - [www.quanics.net](http://www.quanics.net)**

**Quanics**  
Engineering Water Solutions

© 2006, Quanics Inc. All rights reserved.  
Product(s) covered by one or more U.S.  
and/or International patents. Other U.S.  
and International patents may be pending.

**DOWNLOAD  
AutoCAD  
DRAWINGS**