



Pressure Dispersal Systems Mounds

PDS-MND-450, PDS-MND-600

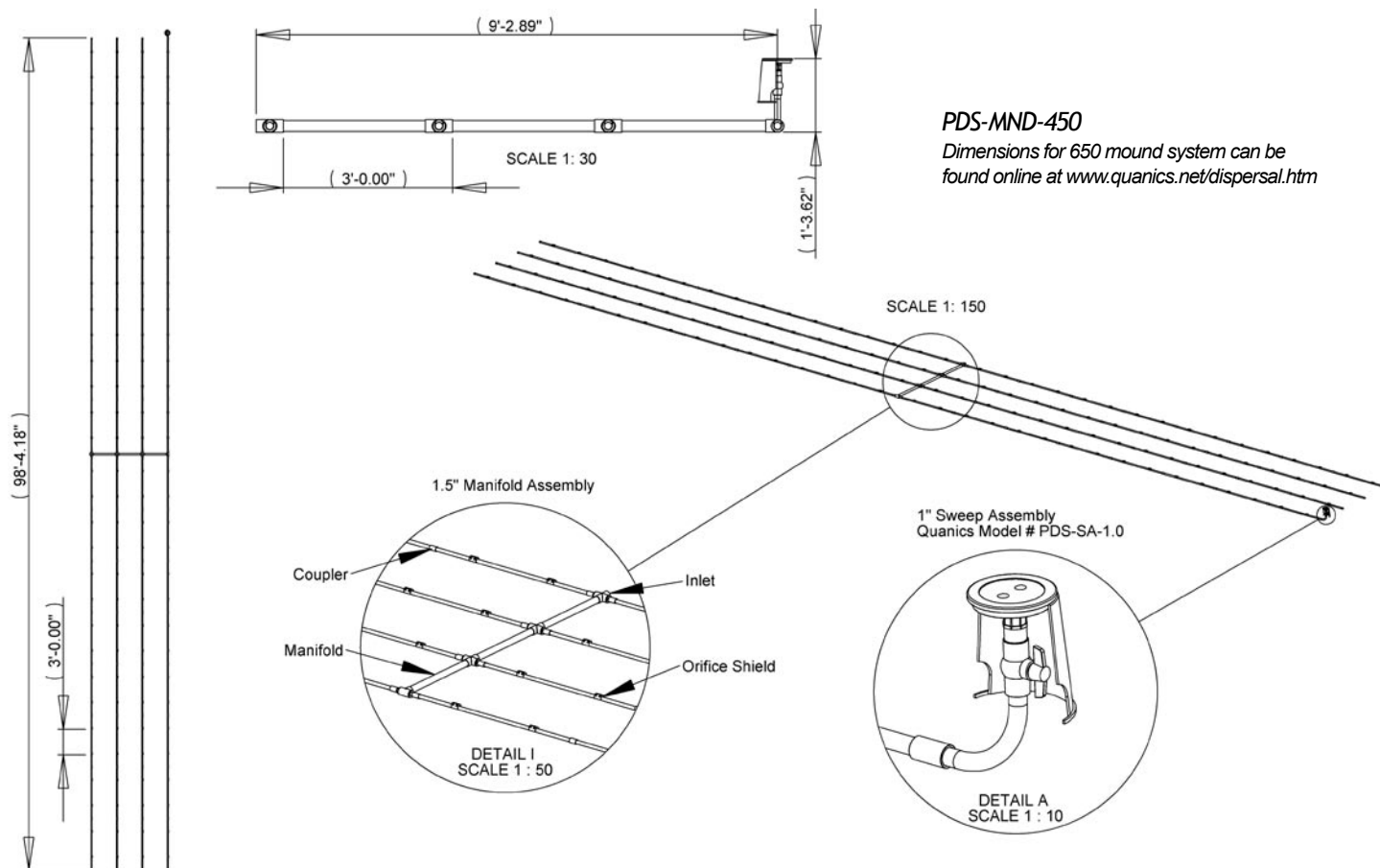
Models Include:

- 2" central manifold assembly
- 6' lateral assembly sections
- Sweep assembly
- Stand Pipe
- Orifice Shields

Not included:

- Sand, Dirt or Gravel

Specifications	PDS-MND-450	PDS-MND-600
Treatment	375 linear ft. treats up to 450 gpd	500 linear ft. treats up to 600 gpd
Laterals		
Quantity	8	12
Length per sections	64'	42'
orifices per section	2	2
Sweep assemblies	1	1
Orifices		
Diameter	5/32"	5/32"
quantity per line	16	14
Piping		
Manifold	2.0" sch 40 PVC	2.0" sch 40 PVC
Laterals	1.0" sch 40 PVC	1.0" sch 40 PVC



1-877-QUANICS - www.quanics.net



© 2006, Quanics Inc. All rights reserved. Product(s) covered by one or more U.S. and/or International patents. Other U.S. and International patents may be pending.

